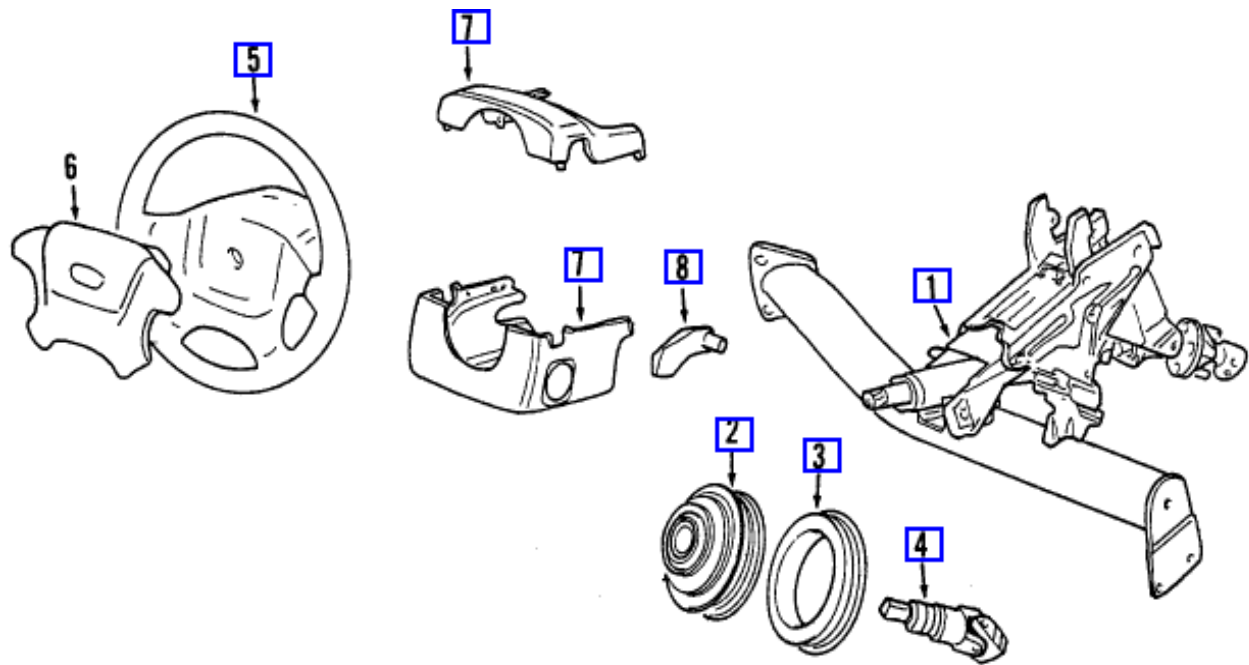
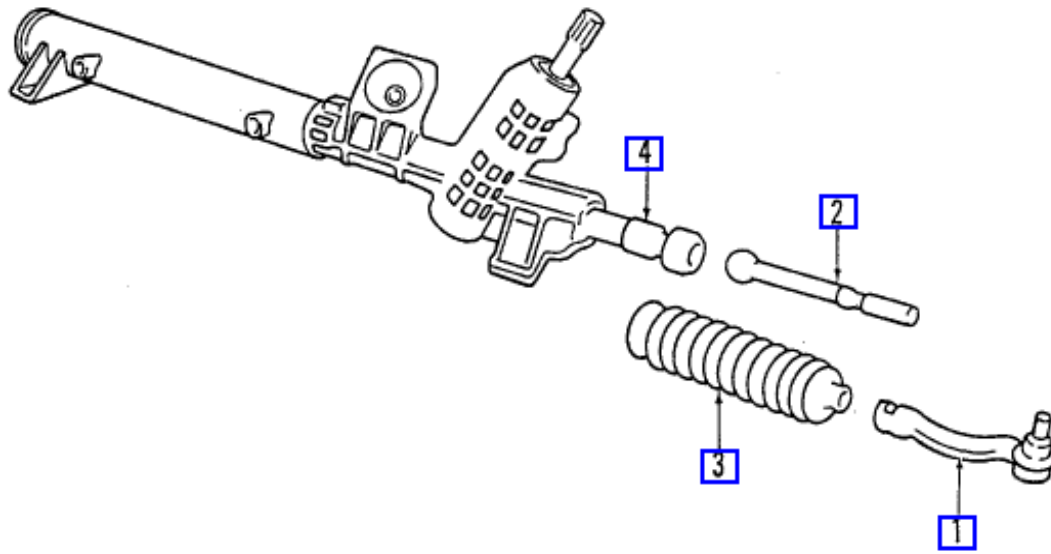


XC Steering Components

2001 Volvo V70 XC AWD L5-2435cc 2.4L Turbo VIN 58 B5244T3 LT



-
- 1 - Steering Column
 - 2 - Steering Shaft, Coupler/Shield
 - 3 - Steering Shaft, Collar
 - 4 - Lower Shaft
 - 5 - Steering Wheel
 - 6 - Air Bag
 - 7 - Shroud
 - 8 - Tilt Lever



-
- 1 - Tie Rod End
 - 2 - Inner Tie Rod
 - 3 - Tie Rod Boot
 - 4 - Steering Gear