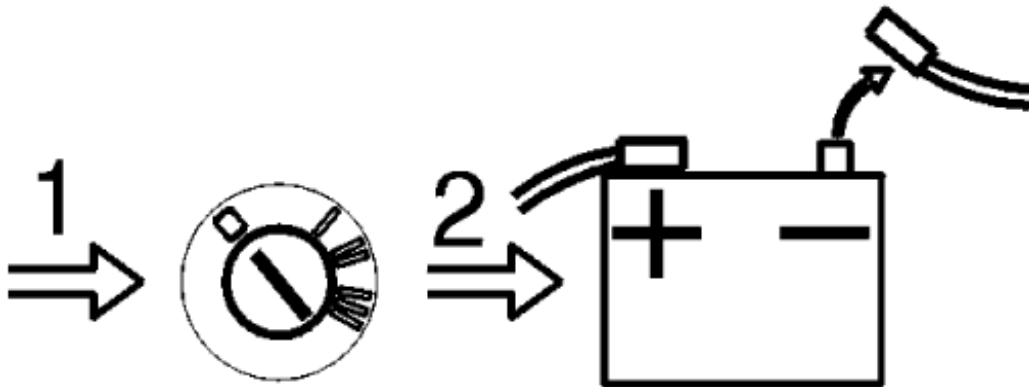


## 2001 Volvo V70 XC AWD L5-2.4L Turbo VIN 58 B5244T3 Center Console Removal

### Mug Holder

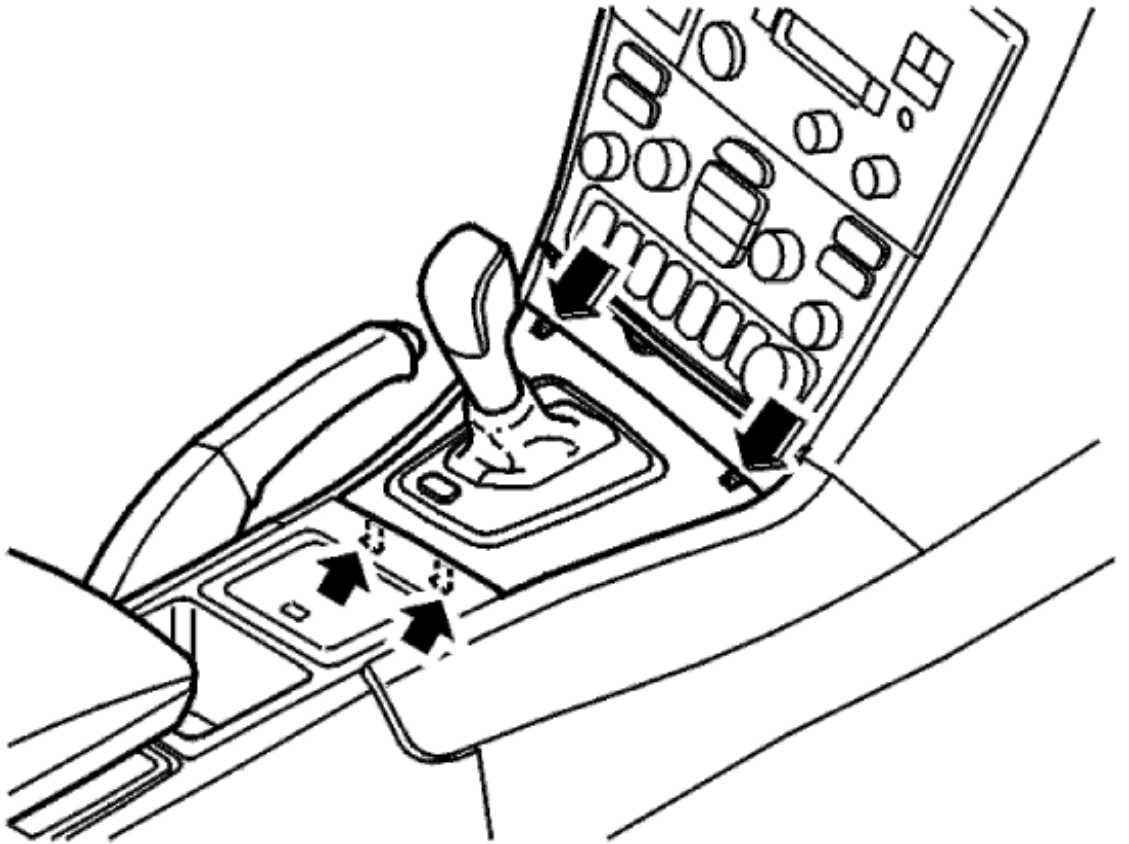
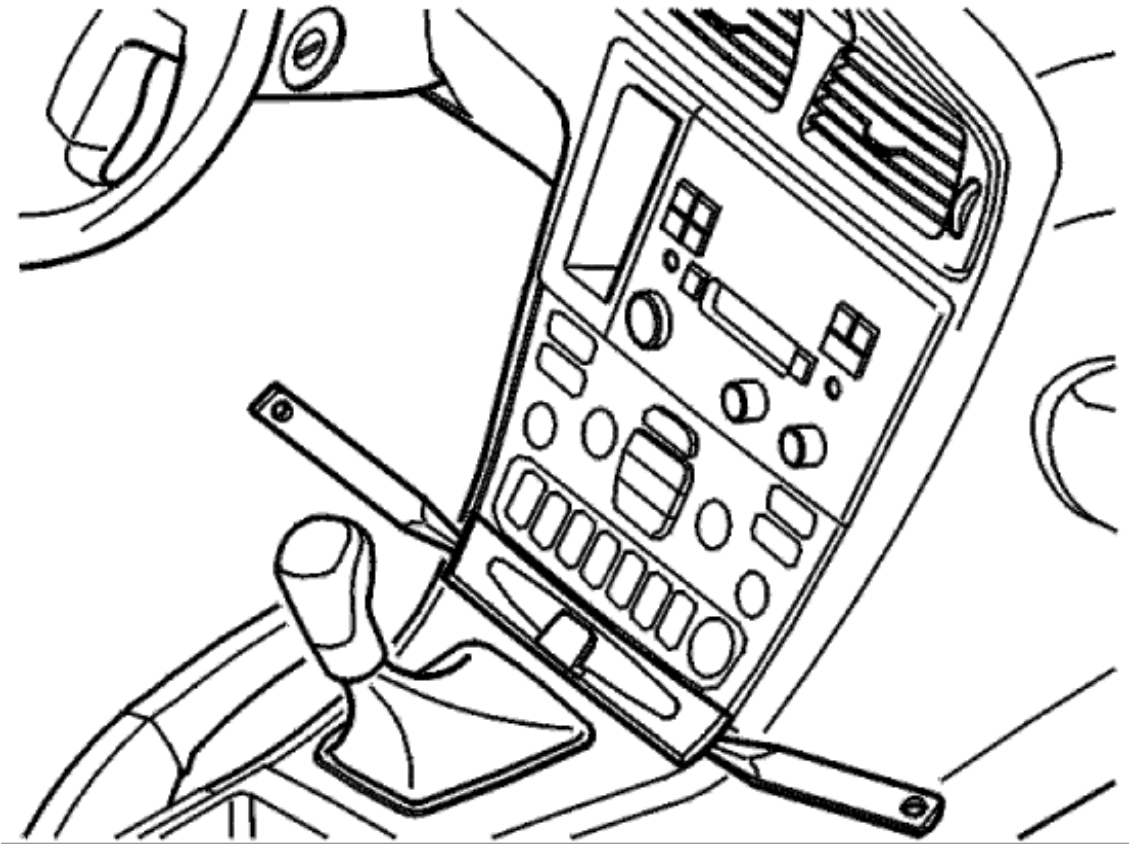
#### Preparations



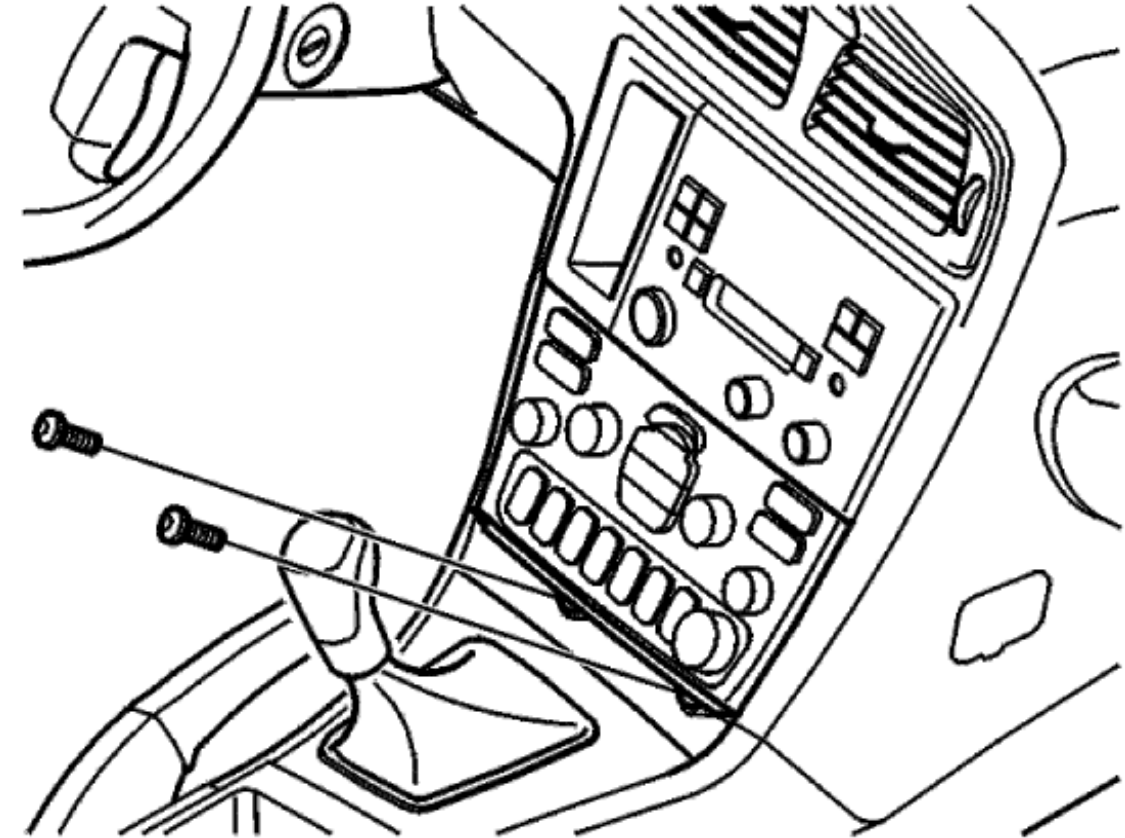
- 
- \* Turn the ignition key to position 0
  - \* Remove the key from the ignition switch (does not apply to cars with automatic gearboxes)
  - \* Disconnect the battery negative lead.

**NOTE:** Wait at least five minutes before disassembling the connectors or removing other electrical equipment.

Removing the centre console locker



- \* Move the gear selector lever backwards as far as possible
- \* Remove the panel in front of the gear selector lever. Pry off the panel using a plastic weatherstrip tool.
- \* Press in the catches on the front edge of the gear selector lever panel. Lift the panel upwards, first the front edge and then the rear edge. Remove the panel around the gear selector lever
- \* Remove the two screws from the dashboard environment panel.



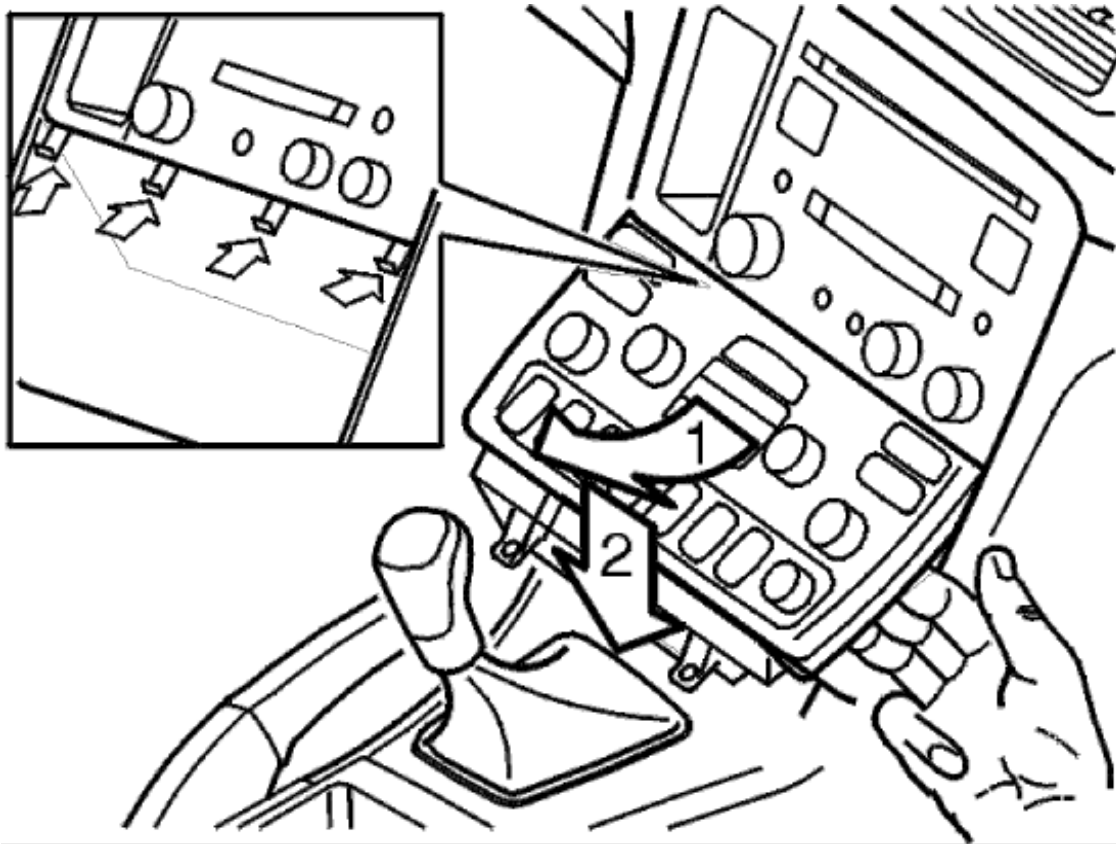
- \* the dashboard environment panel. Pull it downward, maintaining the same angle. Some force is required because the panel is tightly installed
- \* the connectors on the reverse of the dashboard environment panel. Put the dashboard environment panel to one side.

NOTE: If any of the outer hooks break off, these must be repaired. See the section about the dashboard in the workshop manual in VADIS.

- \* Remove the screws in the radio bracket
- \* Pull out the lower edge of the radio bracket. At the same time press downwards.

\* Angle the dashboard environment panel outwards so that it is possible to insert a couple of fingers between the centre console and the side of the dashboard environment panel.

**Remove:**



\* the dashboard environment panel. Pull it downward, maintaining the same angle. Some force is required because the panel is tightly installed

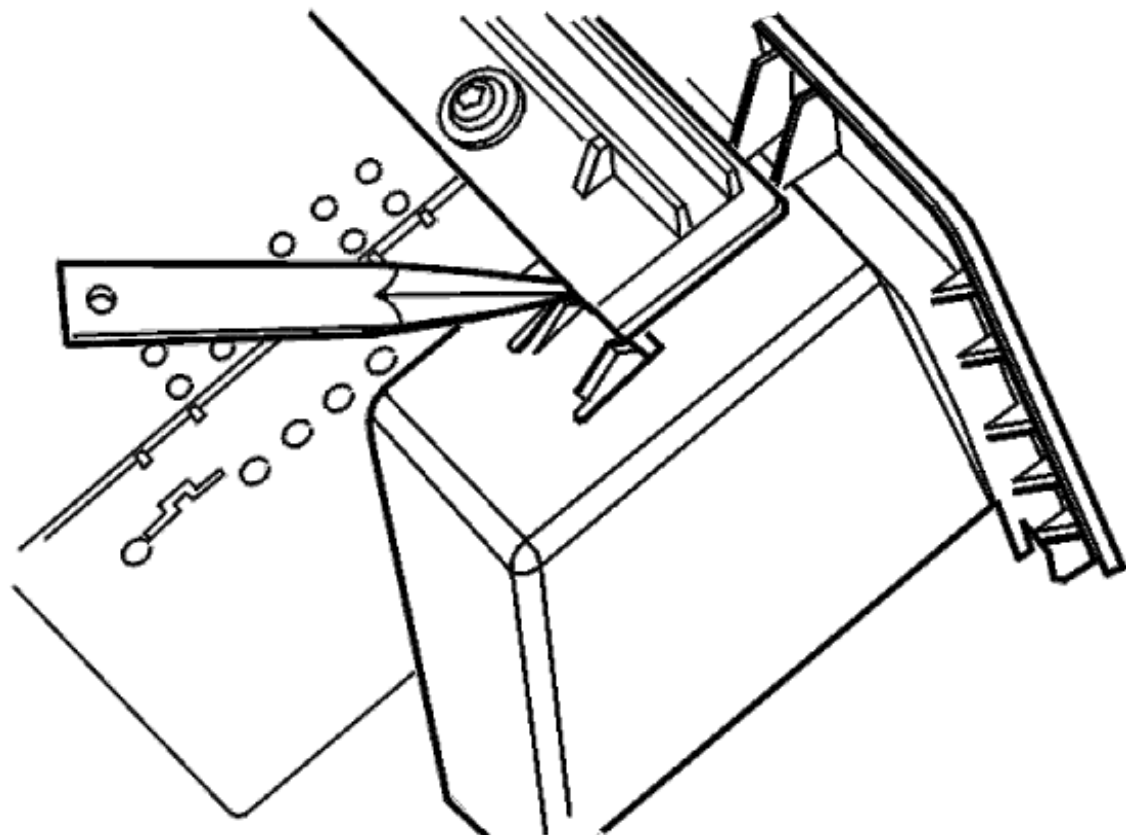
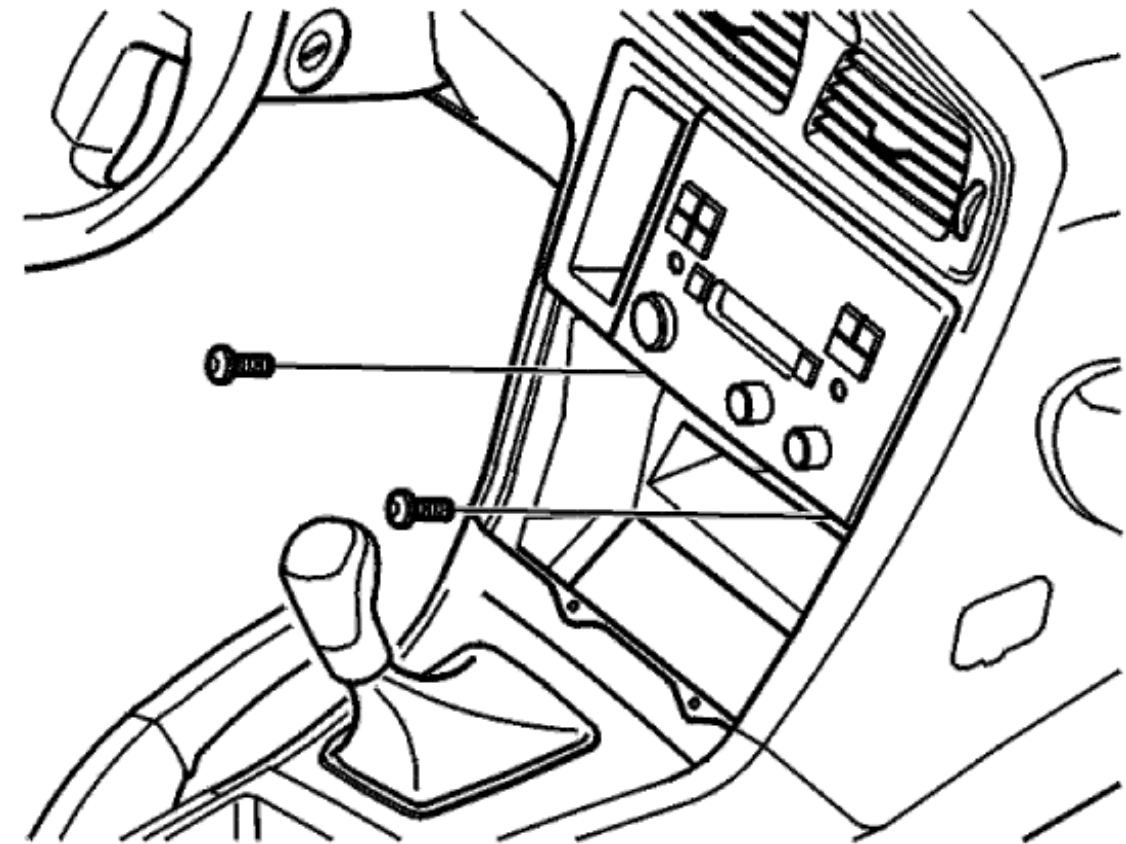
\* the connectors on the reverse of the dashboard environment panel. Put the dashboard environment panel to one side.

**NOTE:** If any of the outer hooks break off, these must be repaired. See the section about the dashboard in the workshop manual in VADIS.

\* Remove the screws in the radio bracket

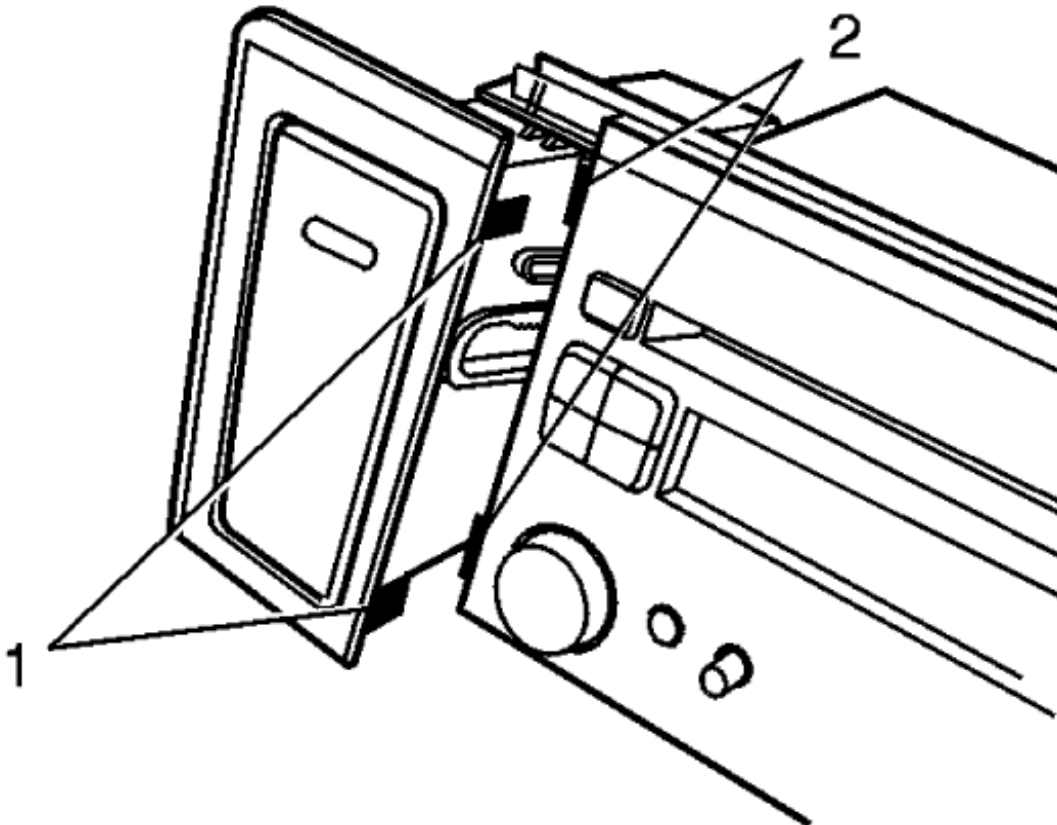
\* Pull out the lower edge of the radio bracket. At the same time press downwards.

Remove:



- \* the connectors on the reverse of the radio
- \* the radio bracket.
- \* Remove the existing centre console locker. First press in the catches on the top and underneath of the centre console locker. Then pull the centre console locker from the cut out.

### **Installing the mug holder**



- \* Press the mug holder into place beside the radio. Ensure that the mug holder catches (1) engage in the corresponding hooks (2) on the radio.

### **Finishing work**

- \* Connect the connectors to the radio. Reinstall the radio
- \* Connect the connectors to the dashboard environment panel. Reinstall the panel
- \* Reinstall the panel around the gear selector lever and the panel in front of the gear selector lever.
- \* Turn the ignition key to position II
- \* Reconnect the battery negative lead.