

## XC Front Wheel Brake (LH Side)

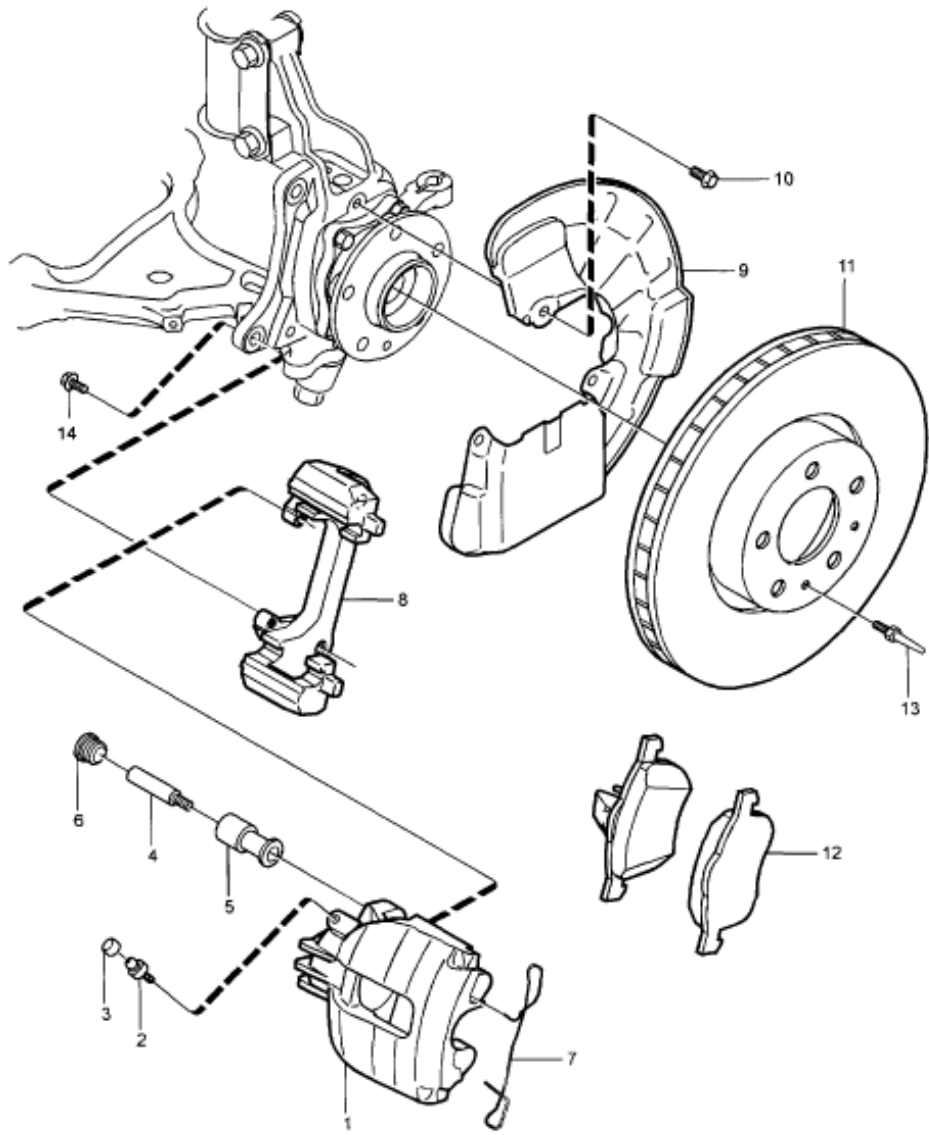
2001 Volvo V70 XC AWD L5-2435cc 2.4L Turbo VIN 58 B5244T3 LT

1	8601558	1EU	Brake caliper, exch	<b>Note!</b>	3
	8601556	1EU	Brake caliper, exch		3
	8602676	1EU	Brake caliper, exch		3
2		1NS	· Screw		
3		1NS	· Protection		
4	30648017	1	Guide pin		3
5	30648018	1	Bushing		3
6		1NS	· Plug		
7	8623864	1	· Spring	<b>Note!</b>	2
	30648019	1	Spring		3
8	9492275	1	Brace	<b>Note!</b>	3
	9492276	1	Brace		3
	9492277	1	Brace		3
9	9485469	1	Protecting plate	<b>Note!</b>	4
	30645113	1	Protecting plate		4
10	980962	3	Flange screw		3
11		1KN	Brake disc		
			<b>Service kits Front wheel brake</b>		
12		2KN	Brake pad		
			<b>Service kits Front wheel brake</b>		
13	1330273	1	Guide pin		2
14	982480	2	Flange screw	<b>Note!</b>	3

## XC Front Wheel Brake (RH Side)

2001 Volvo V70 XC AWD L5-2435cc 2.4L Turbo VIN 58 B5244T3 LT

1	8601559	1EU	Brake caliper, exch	<b>Note!</b>	3
	8601557	1EU	Brake caliper, exch		3
	8602677	1EU	Brake caliper, exch		3
2		1NS	· Screw		
3		1NS	· Protection		
4	30648017	1	Guide pin		3
5	30648018	1	Bushing		3
6		1NS	· Plug		
7	8623864	1	· Spring	<b>Note!</b>	2
	30648019	1	Spring		3
8	9492275	1	Brace	<b>Note!</b>	3
	9492276	1	Brace		3
	9492277	1	Brace		3
9	9485470	1	Protecting plate	<b>Note!</b>	4
	30645114	1	Protecting plate		4
10	980962	3	Flange screw		3
11		1KN	Brake disc		
			<b>Service kits Front wheel brake</b>		
12		2KN	Brake pad		
			<b>Service kits Front wheel brake</b>		
13	1330273	1	Guide pin		2
14	982480	2	Flange screw	<b>Note!</b>	3



## XC Rear Wheel Brake (LH Side)

2001 Volvo V70 XC AWD L5-2435cc 2.4L Turbo VIN 58 B5244T3 LT

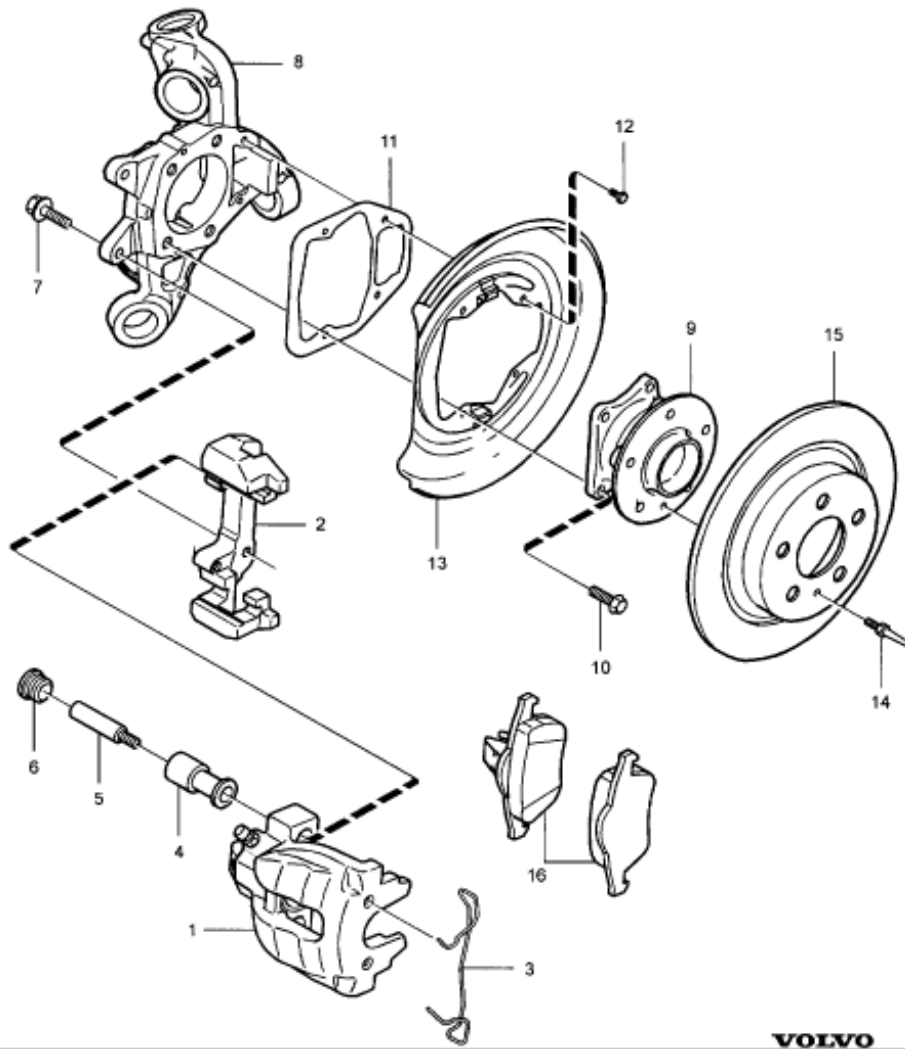
1	8601560	1EU	Brake caliper, exch	3
2		1NS	Brace	
3		1NS	Spring	
4		1NS	Seal	
5		1NS	Bolt	
6		1NS	Plug	
7	980990	2	Flange screw	2
8		1	Bearing housing	
			<b>Rear suspension. AWD. L.H</b>	
9	8624647	1	Rear wheel hub	3
10	981417	4	Flange screw	2
11	3524422	1	Gasket	3
12	946544	4	Flange screw	2
13	9434183	1	Protecting plate	3
14	1330273	1	Guide pin	2
15		1	Brake disc	
			<b>Service kits Rear wheel brake</b>	
16		1KN	Brake pad kit	
			<b>Service kits Rear wheel brake</b>	

---

## XC Rear Wheel Brake (RH Side)

2001 Volvo V70 XC AWD L5-2435cc 2.4L Turbo VIN 58 B5244T3 LT

1	8601561	1EU	Brake caliper, exch	3
2		1NS	Brace	
3		1NS	Spring	
4		1NS	Seal	
5		1NS	Bolt	
6		1NS	Plug	
7	980990	2	Flange screw	2
8		1	Bearing housing	
			<b>Rear suspension. AWD. R.H</b>	
9	8624647	1	Rear wheel hub	3
10	981417	4	Flange screw	2
11	3524422	1	Gasket	3
12	946544	4	Flange screw	2
13	9434183	1	Protecting plate	3
14	1330273	1	Guide pin	2
15		1	Brake disc	
			<b>Service kits Rear wheel brake</b>	
16		1KN	Brake pad kit	
			<b>Service kits Rear wheel brake</b>	



**VOLVO**