

Door module (power windows, power mirrors, child locks, central locking), front doors

Replacing the driver door module (DDM) and passenger door module (PDM)

Preparations

Caution! New software can only be ordered after the control module has been installed in the car. VADIS reads off the new control module identity which is required to order the correct software.

Always check that the control module and control module box connectors do not have bent or damaged terminals or socket / sleeves. This may have been the cause of the fault.

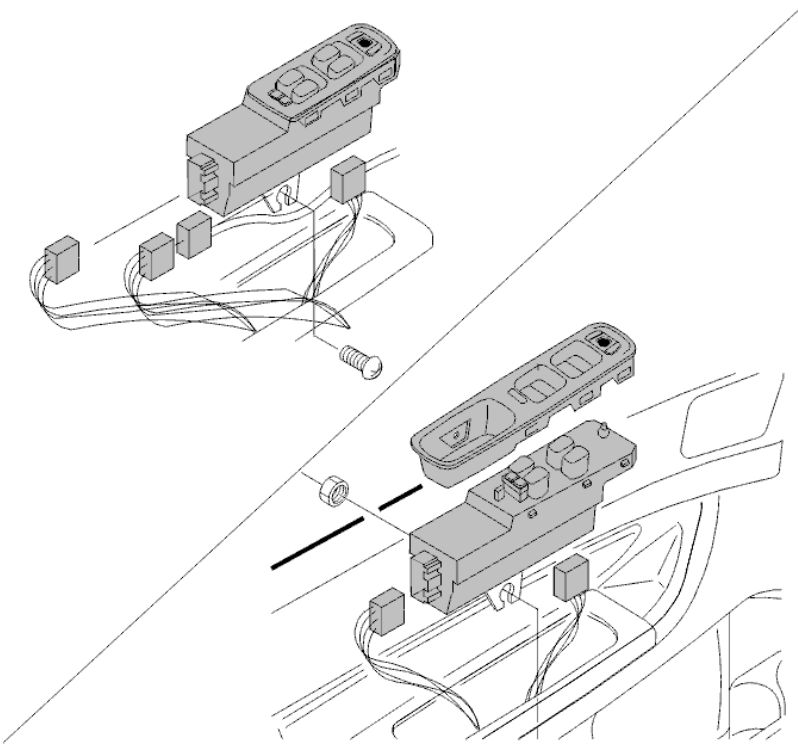
Removing the control module

This method of removal applies to both the driver door module (DDM) and the passenger door module (PDM).

The illustration shows the driver door module (DDM).

- Ignition off
- Remove the door panel
- Remove the nut and screw holding the door module
- Disconnect the connectors
- Pry up the rear edge of the door module. Pull the door module backwards and upwards. Remove the door module from its mounting on the door panel
- Press up the door module.

To remove the upper panel, see [Removing the upper panel](#) .



Check

Check that the control module connectors are intact.

Installing the control module

This method of installation applies to both the driver door module (DDM) and the passenger door module (PDM).

- Position the door module in the hole on the door panel.

Check that the lower mounting for the door module is correctly located in the support on the door panel

- Press the door module into place
 - Connect the connectors
 - Install the nut and screw
- Install the door panel.

- Install the door panel.

Ordering software

Order software for the driver door module (DDM) according to the table below.

V70 2000-	Order SW
S80	Order SW

Order software for the passenger door module (PDM) according to the table below.

V70 2000-	Order SW
S80	Order SW

Programming the control module

Order software for the new driver door module (DDM) according to the table below.

V70 2000-	Load SW
S80	Load SW

Order software for the new passenger door module (PDM) according to the table below.

V70 2000-	Load SW
S80	Load SW

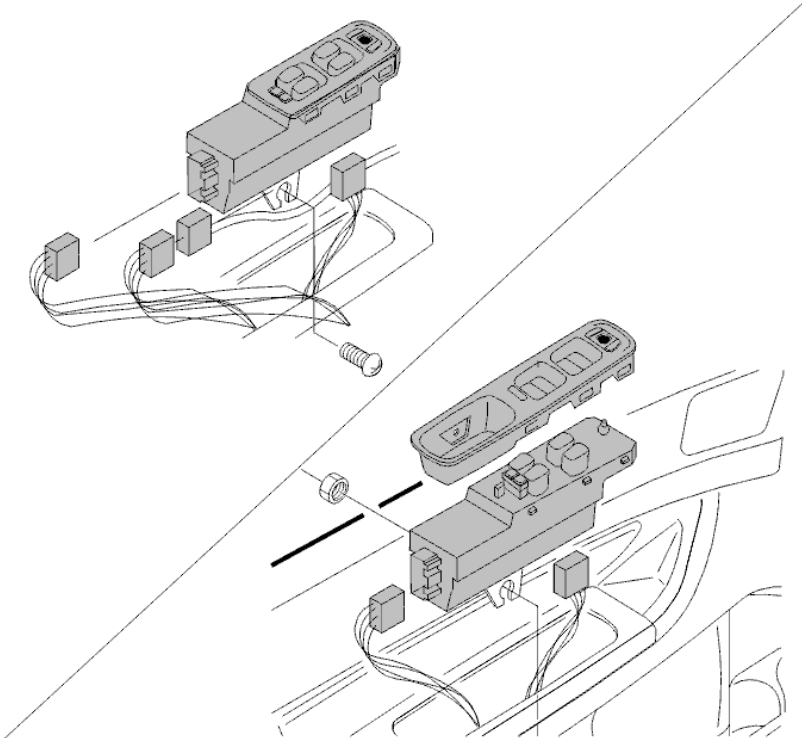
Finishing

Initialise the window position in the communication input

Removing the upper panel

The illustration shows the driver door module (DDM).

- Remove the control module. See [Removing the control module](#)
- Disconnect the catches. Lift the upper panel from the control module.



Installing the upper panel

In reverse order.