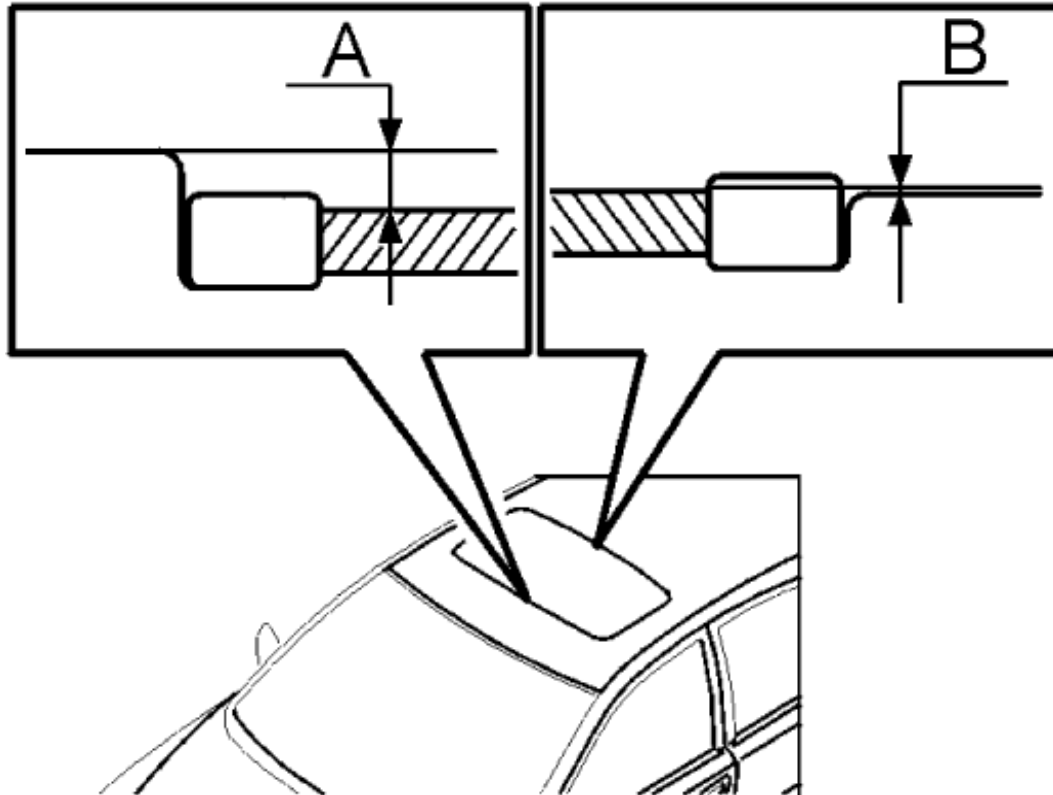


## Sun Roof, Adjusting

## Sun Roof, Adjusting

## Height adjustment



- \* Close the sun roof.
- \* Remove the apron molding.
- \* Slacken off the screws for the glass cover.

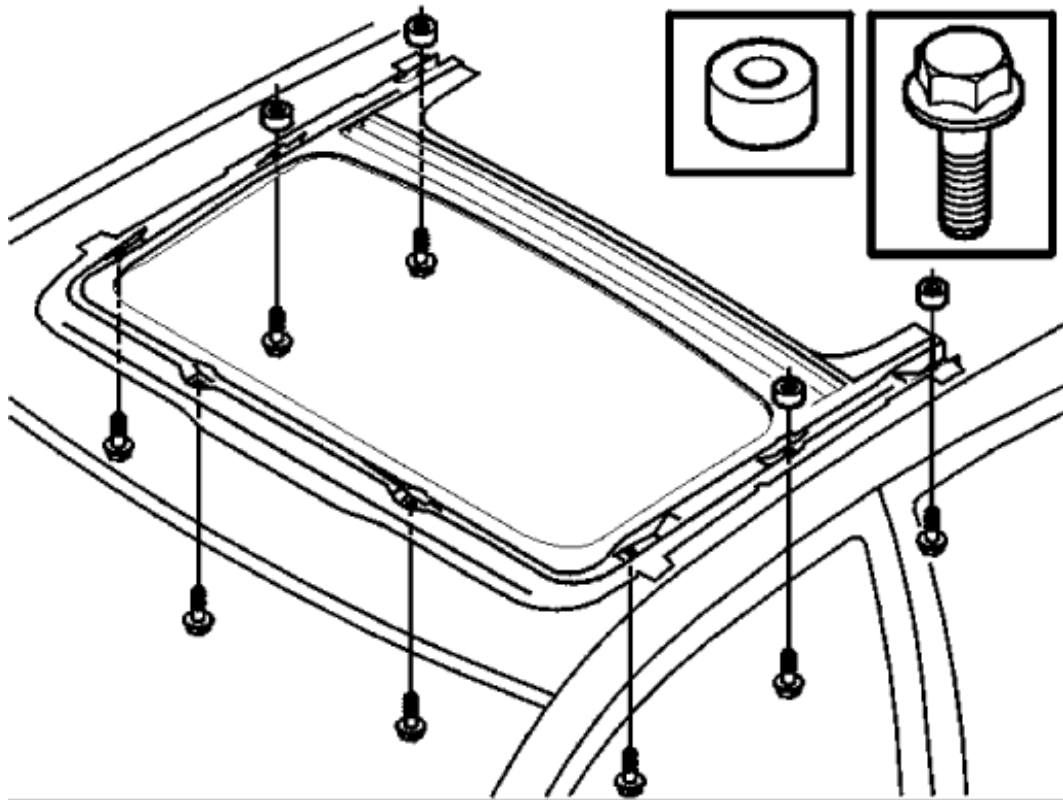
### Front edge:

The upper section of the molding must be flush with or **1 mm** under the roof panel (Dimension A).

### Rear edge:

- \* The upper section of the molding must be flush with or **1 mm** above the roof panel (Dimension B).
- \* Calibrate
- \* Tighten the screws.

## Adjusting sideways and front rear



- \* Remove the headlining.
- \* Remove the 8 screws.
- \* There are two reference holes. One is round and the other is oval.
- \* Lift up the sun roof.
- \* Insert a drift that matches the diameter of the hole
- \* Adjust the sunroof so that it is level at the sides and has even pressure at the front and rear edges.
- \* Test the function of the sun roof by opening and closing it as far as it will go.
- \* Calibrate