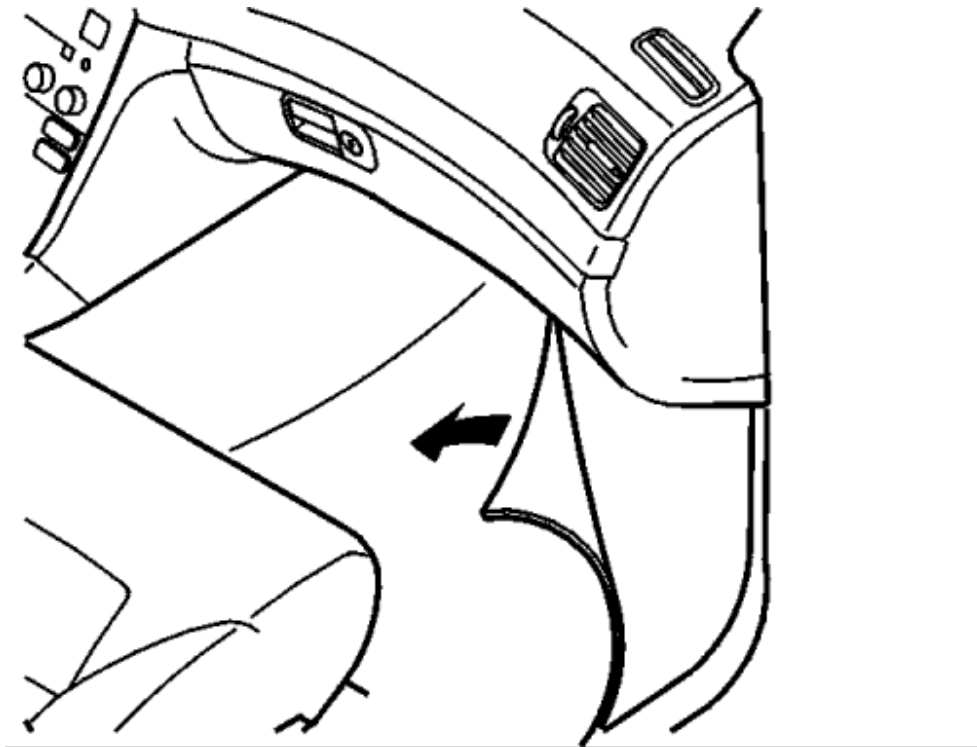


Service and Repair

Fan motor

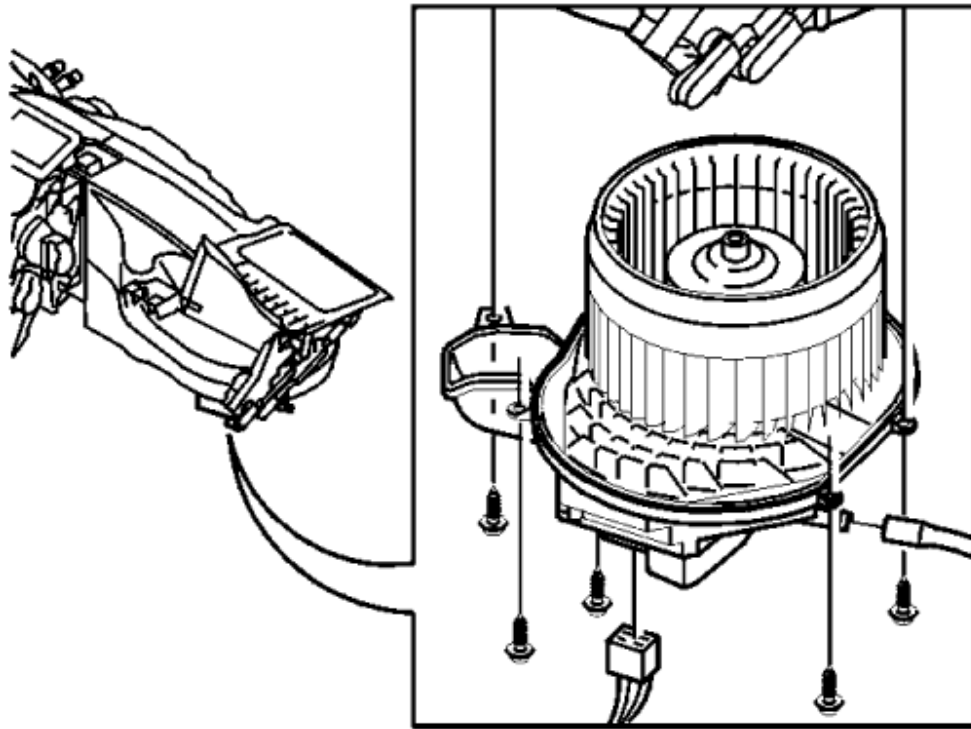
Remove:



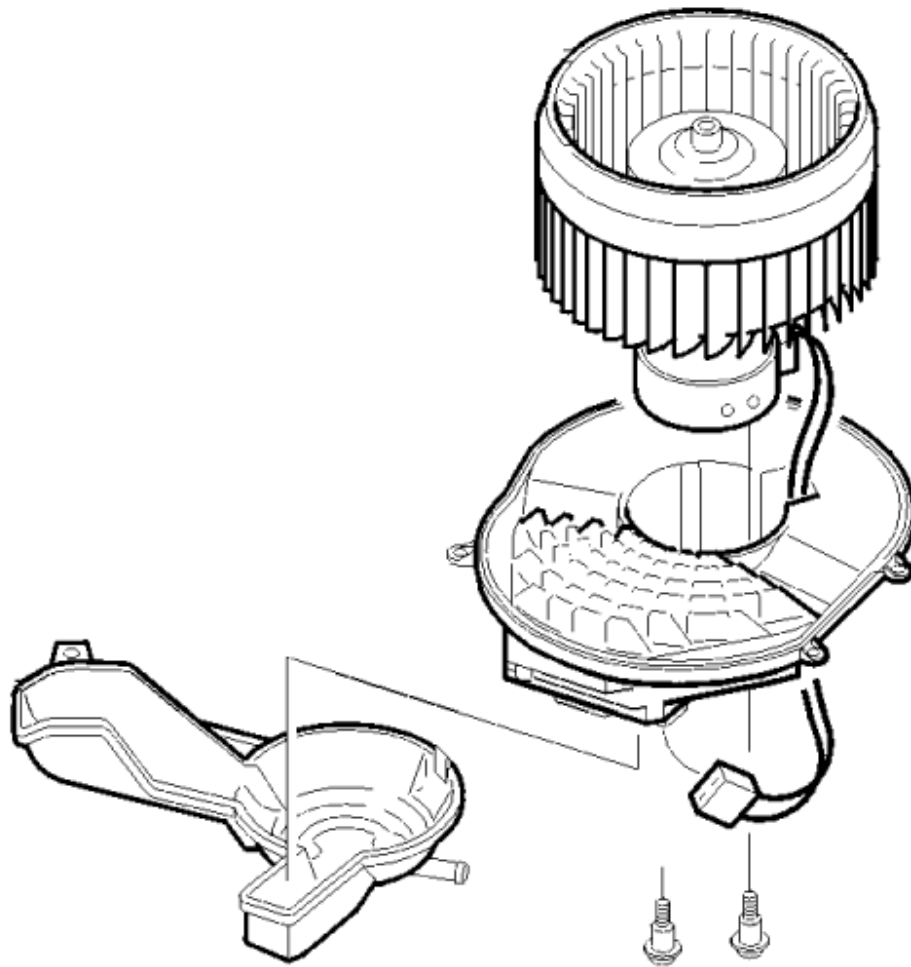
- the sill trim panel.
- the soundproofing panel.
- the side panel on the center console.
- the glove compartment.
- any mounting hooks for child seats
- detach the drain hoses from the engine and the filter housing. Move the drain hoses to one side
- detach the floor carpet at the front. Fold the carpet back.

Engine

Remove:



- disconnect the connector
- the 5 screws for the blower fan motor
- detach and remove the blower fan motor.



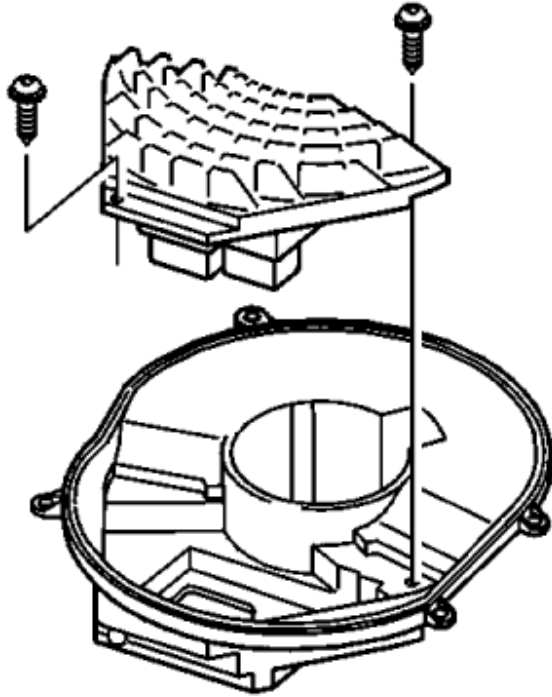
-
- the connector
 - detach the cover from the motor
 - the 2 screws on top
 - press and pull out the motor and fan hub. Use a screw driver for example.

Installation

- Install in reverse order.

Power Unit

Remove:



-
- the blower fan motor with the fan hub.
 - the power unit, 2 screws.

Installation

Install in reverse order.