

XC Rear Brake Pad Replacement

2001 Volvo V70 XC AWD L5-2435cc 2.4L Turbo VIN 58 B5244T3 LT

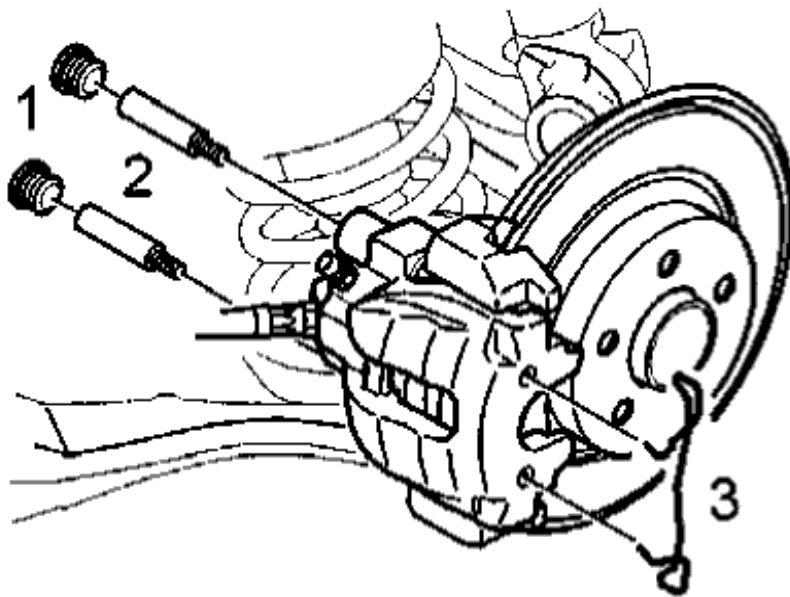
Brake Pads, Rear, Replacing

Brake pads, rear, replacing

Removal

Note: Minimum thickness for replacing the brake pads = **3.0 mm** .

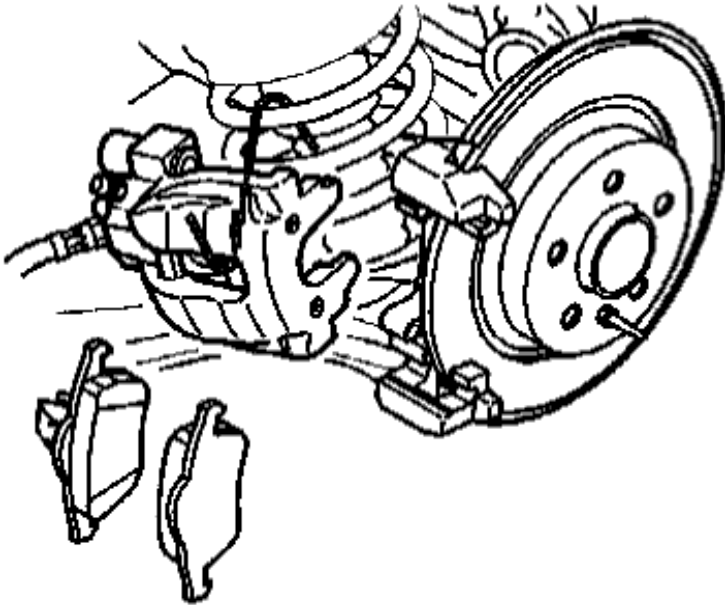
Remove retaining springs and locating pins for brake pads



Remove:

- * the securing spring (3) carefully so that it does not deform
- * the protective caps (1) from the two locating pins (2)
- * the locating pins, use hex socket 7 mm.

Remove the brake caliper and brake pads



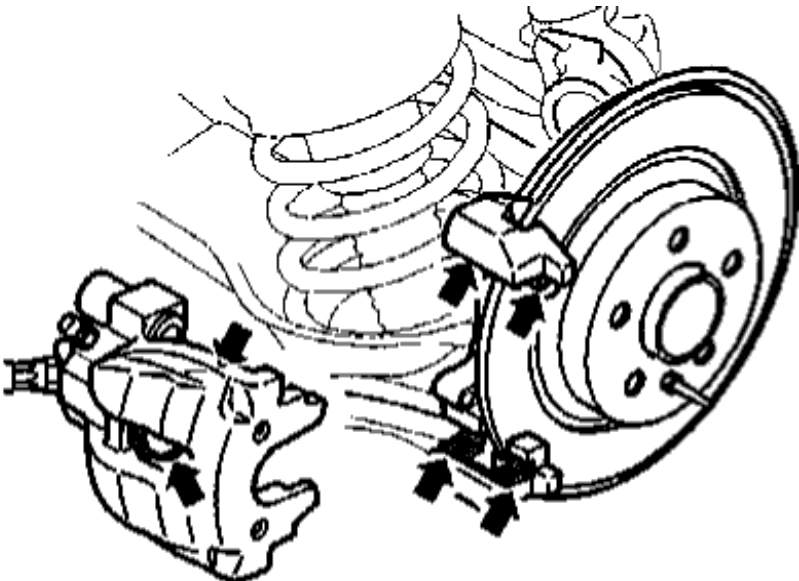
Remove:

- * the brake caliper from the holder
- * the brake pads.

Hang brake caliper from a steel wire from the spring so as not to damage brake hose.

Note: Do not depress brake pedal while brake pad is removed.

Clean and check brake caliper and dust cover

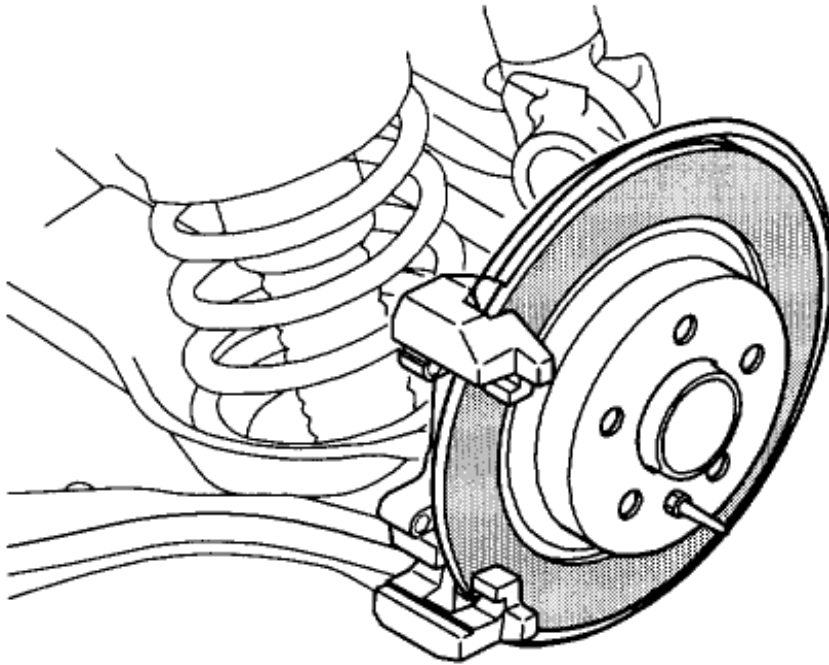


Clean and check brake pad mating surfaces on the brake caliper.
Check piston dust boot. Replace it if it is damaged.

Note: If the dust boot is damaged dirt may have penetrated the cylinder. The brake caliper must be reconditioned.

See Reconditioning rear brake calipers.

Check the brake disc



Check brake disc friction surfaces.

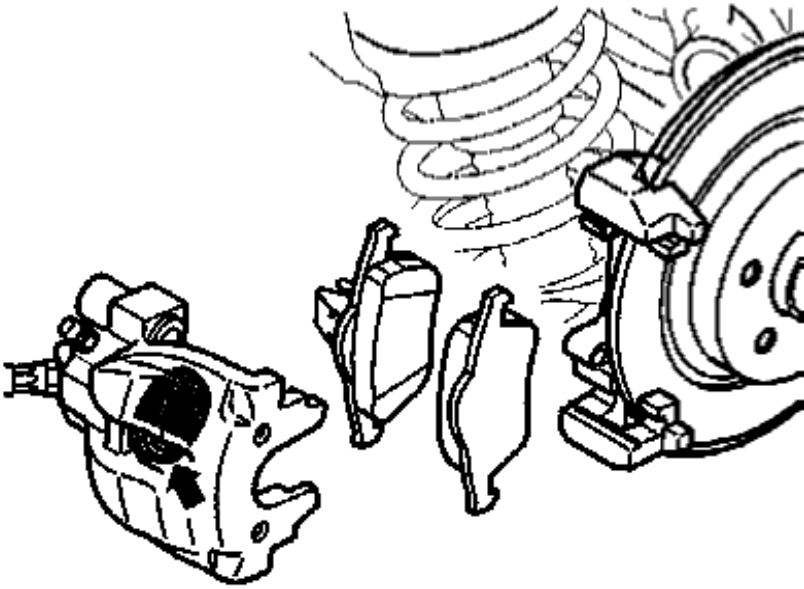
If the brake disc displays signs of out-of-true, check its lateral runout.

Replace the brake disc if it displays signs of heavy wear, variable thickness or similar.

Note: Minimum recommended disc thickness / replacement limit = **10.0 mm** . Minimum recommended disc thickness when installing new brake pads= **10.7 mm**

Installation

Install the brake pads and brake caliper

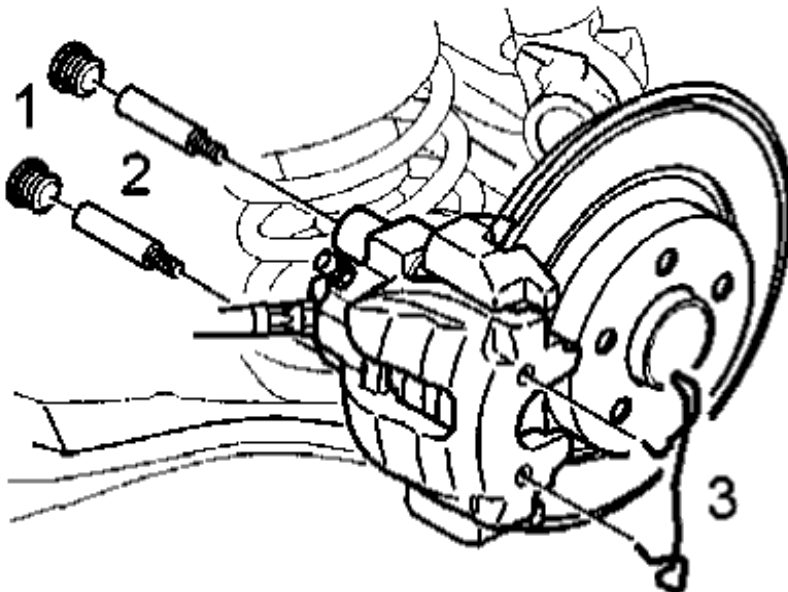


Press piston back into cylinder on brake caliper.
Check that the dust cover is correctly positioned.

Install:

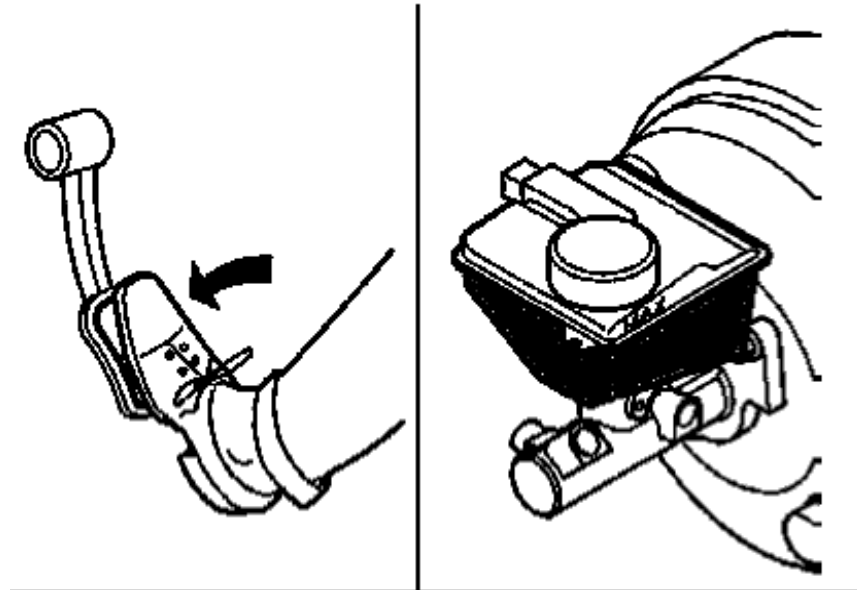
- * new brake pads
- * the brake caliper.

Install the locating pins in the brake caliper



Check the rubber sleeves of the locating pins. Replace if necessary.
Lubricate the locating pins with grease, P/N 1161325-4. Insert the locating pins (2) into the rubber sleeves. The pins should slide into the sleeves easily.
Tighten locating pins. Tighten to **30 Nm** .
Install protective caps (1).
Install the retaining spring (3).

Check brake fluid level in reservoir



Depress the brake pedal a few times. Top up brake fluid if necessary.
Adjust parking brake as required.

Install the wheel **Installing wheels**

Specifications - Rear **Notes**

Alternative 2

Note: AWD cars up to and including week 49, 1998. Lucas rotors. New thickness 9.4 mm

Minimum thickness 2.0 mm

Alternative 3

Note: AWD cars, from and including week 50, 1998. Teves rotors. New thickness 12.0 mm

Minimum thickness 2.0 mm