

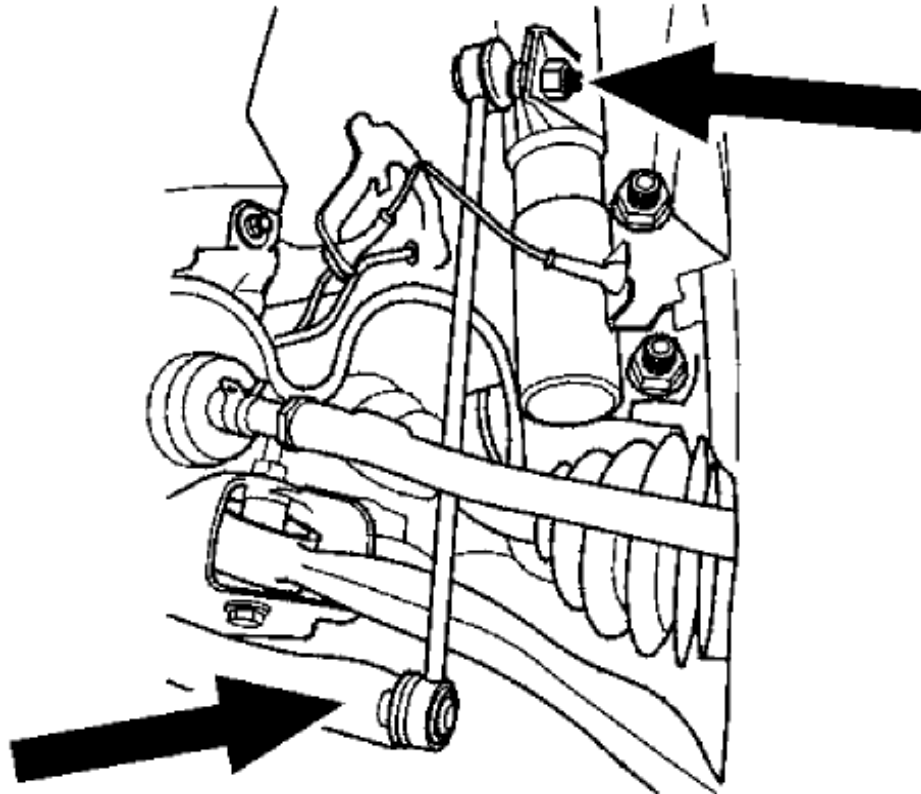
[XC Front Stabilizer Link](#)

(2001 Volvo V70 XC AWD L5-2435cc 2.4L Turbo VIN 58 B5244T3 LT)

Service and Repair

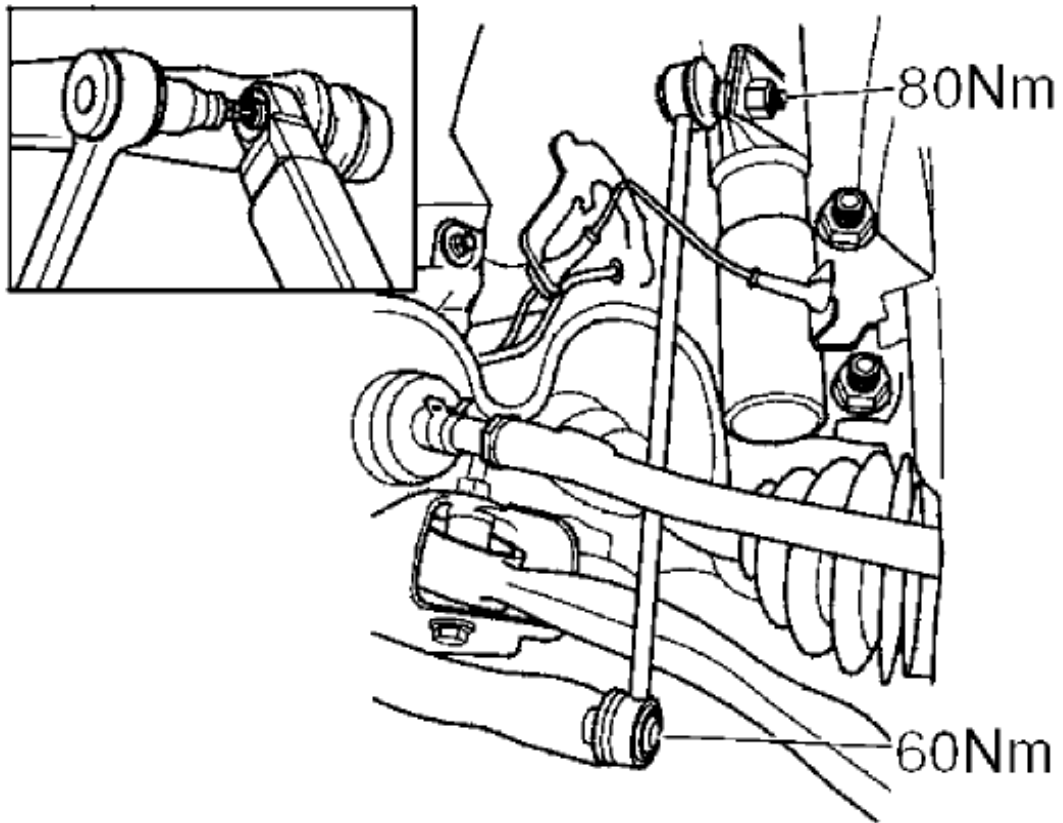
Anti-roll bar link, front, replacing

Removal



Remove:

- * the wheel
- * the anti-roll bar link from the mountings. Use a Torx wrench as a counter hold so that the boot is not damaged.



Installation

Install:

- * the anti-roll bar link

Note: Use new nuts. Tighten the nuts in the anti-roll bar link. Tighten to the torque measurement listed

- * Use a Torx wrench as a counterhold so that the boot is not damaged
- * the wheel.

| Parts | OEM Part | Price |
|--------------|-----------------|--------------|
|--------------|-----------------|--------------|

Stabilizer Link

Front Suspension

| | | |
|------|----------|---------|
| Link | 30647995 | \$42.27 |
|------|----------|---------|

Rear Suspension

Bracket

| | | |
|-------|---------|---------|
| Right | 8646412 | \$28.87 |
|-------|---------|---------|

| | | |
|------|---------|---------|
| Left | 8646411 | \$28.87 |
|------|---------|---------|

| | | |
|------|----------|---------|
| Link | 30714678 | \$42.27 |
|------|----------|---------|

| | | |
|-------|----------|---------|
| Right | 30676100 | \$29.59 |
|-------|----------|---------|

| | | |
|------|----------|---------|
| Left | 30676099 | \$29.59 |
|------|----------|---------|

| Labor | Skill Level | Warr. | Std. |
|--------------|--------------------|--------------|-------------|
|--------------|--------------------|--------------|-------------|

Stabilizer Link

Replace

Front Suspension

| | | | |
|------------|---|-----|-----|
| Both Sides | B | 0.4 | 0.5 |
|------------|---|-----|-----|

| | | | |
|----------|---|-----|-----|
| One Side | B | 0.2 | 0.3 |
|----------|---|-----|-----|

Rear Suspension

| | | | |
|----------|---|-----|-----|
| One Side | B | 0.2 | 0.3 |
|----------|---|-----|-----|

| | | | |
|------------|---|-----|-----|
| Both Sides | B | 0.3 | 0.4 |
|------------|---|-----|-----|