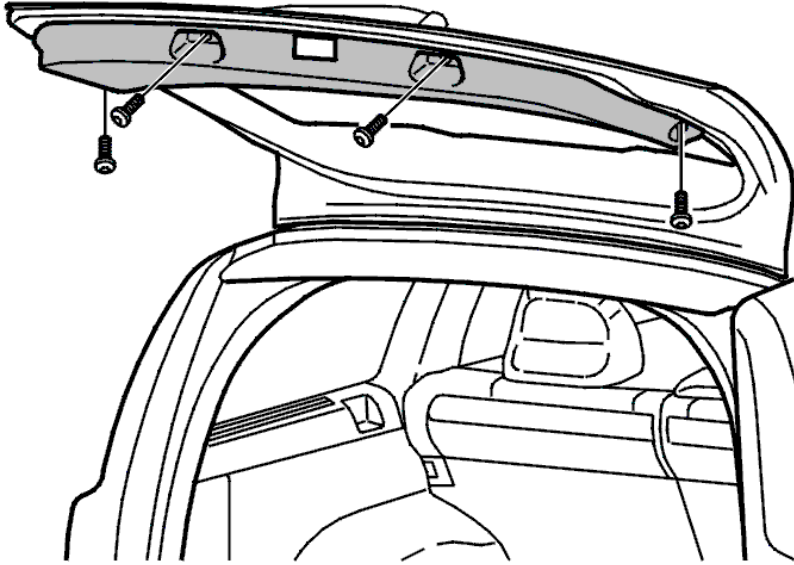


Lower tailgate panel



Removing the rear door panel

- Remove 2 screws on each side
- Begin by detaching the panel at the window (eight covered clips in total).

Note! When removing, note the position of the screws (the screws are two different lengths).

Installing the rear door panel

Install:

In reverse order.

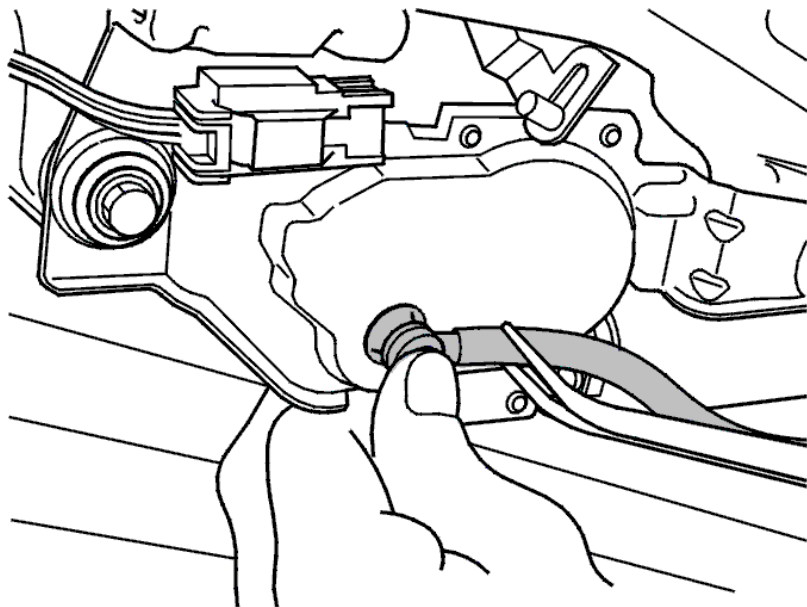
Note! Ensure that the guide pins are correctly position before pushing the panel into place.

Note! Ensure that the clips click when they are pressed into place.

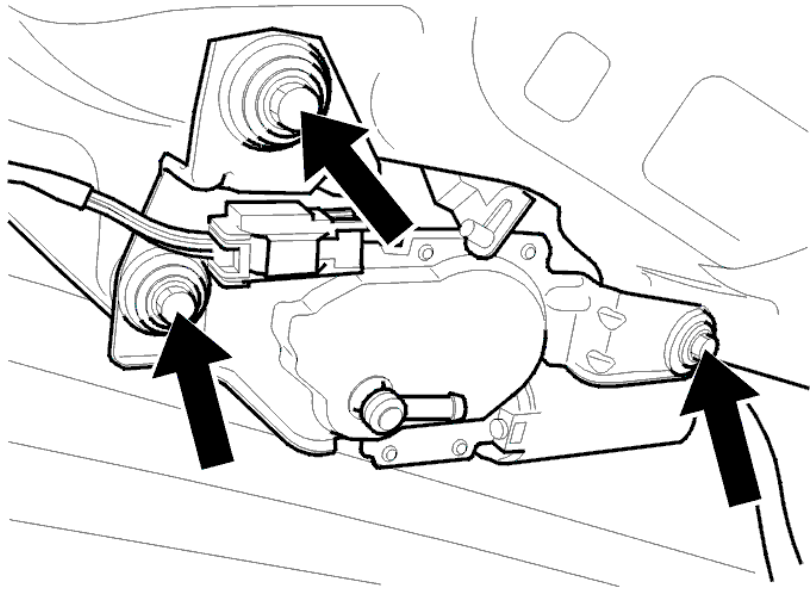
Motor, tailgate wiper, replacing

Removal

- Remove the rear windscreen wiper arm. See [Tailgate wiper arm / blade, replacing](#)
- Remove the tailgate panel. See [Lower tailgate panel](#)
- Press the mounting for the washer hose towards the motor.
- Remove the washer hose
- Disconnect the connector
- Remove the screws.



- Remove the mechanism and motor.



Installation

- In reverse order.