

**VOLVO**Volvo Car Corporation  
Göteborg, Sweden**Installation instructions, accessories****V70 (00-) / V70XC (01-) / XC70**

Section	Group	No.	Year	Month
8	89	0327	2002	10

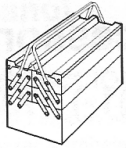
---

Dragkablage USA 4-polig

Tow hitch wiring USA 4-pin

Câblage du crochet de remorquage Etats-Unis, à 4 broches

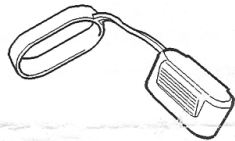
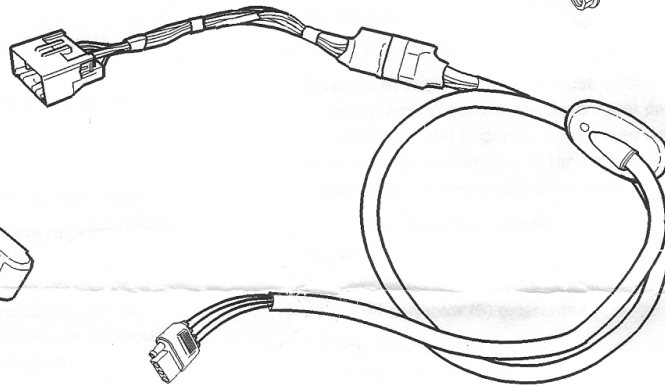
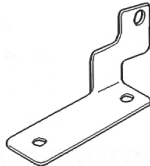
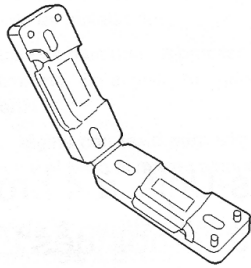
Cableado de 4 patillas del enganche para remolques EE.UU.



A0000162



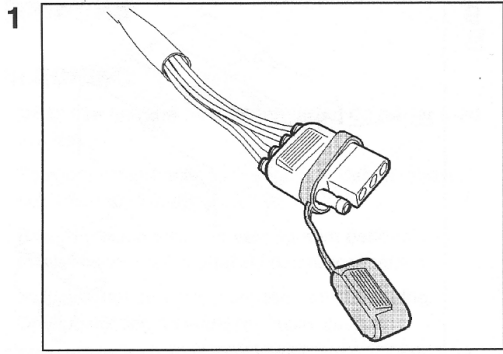
A0000163



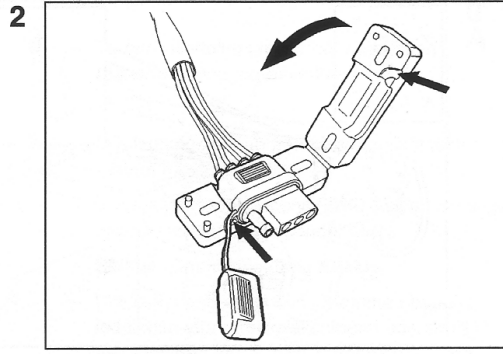
M3904

Any comments on this publication? Please contact your nearest dealer.  
Thank you!

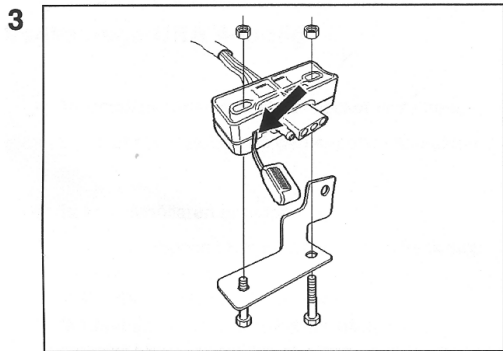
Publication no: MA 8698084, Issue: 2002-10
Comments:..... ..... ..... ..... .....
From:.....
Address:.....
Telephone no:.....
Telefax:.....



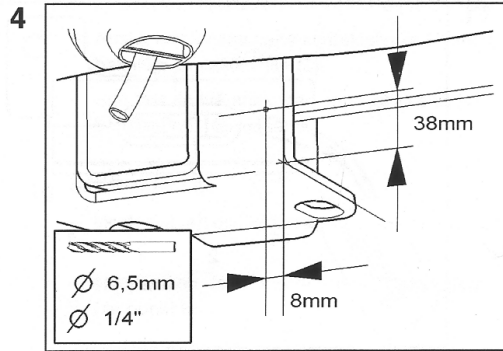
M3904343



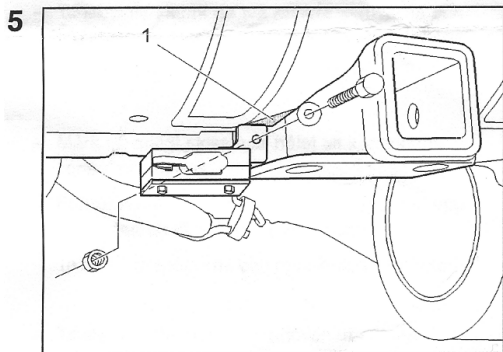
M3904342



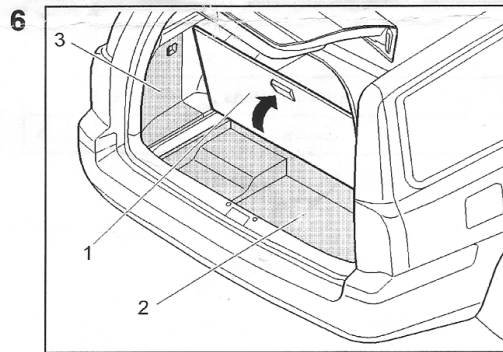
M3904341



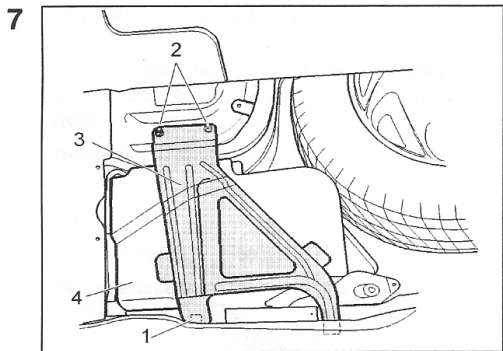
M8902738



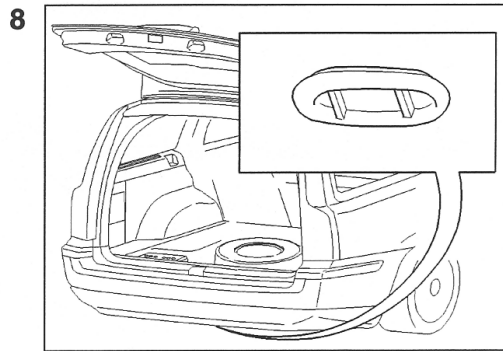
M3703131



M8901410

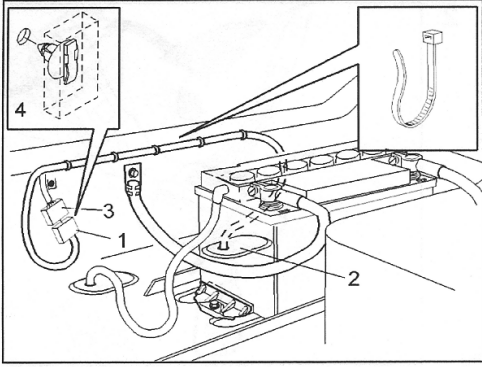


D3100060



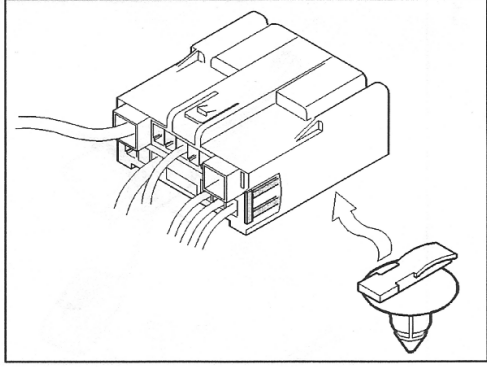
M3100077

9  
A



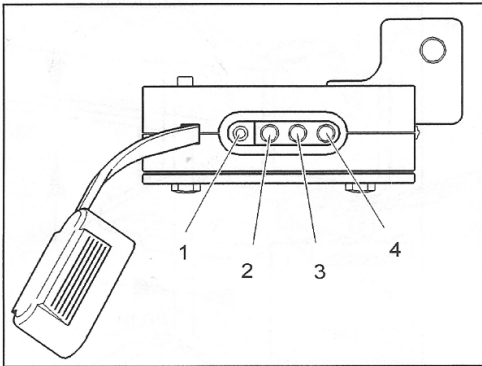
M3100086

9  
B



M3703129

11



M3703130

# English

## INTRODUCTION

- **NOTE! Read through the entire text before carrying out any work.**
- The front page gives the date of this edition and the edition it replaces
- The second page shows the tools needed for the installation and the contents of the installation kit
- The illustrations display the procedure in order of operation. The order of operation is repeated in the text section
- Cut out the text page in order to follow the illustrations and text at the same time.

## Tow hitch wiring USA 4-pin

- 1** – Take the cable harness and the protective cover from the kit  
– Secure the protective cover on the 4-pin connector.
- 2** – Take the connector holder from the kit  
– Position the connector in the connector holder. Press the two halves of the holder together.  
**NOTE! Ensure that the retention strap for the protective cover is not trapped, but aligns in the groove in the connector holder.**
- 3** – Take the bracket and the two smaller screws and the nuts from the kit  
– Tighten the bracket for the connector holder.
- 4** – Following the diagram, mark where the hole will be drilled for the bracket for the connector  
– Pre-drill using a smaller drill bit. Then drill out the hole. Use a **6.5 mm (1/4")** diameter drill bit  
– Remove any swarf. Rust-proof the edges of the holes.
- 5** – Take the screw and the nut from the kit  
– Position the bracket and the connector over the drilled hole  
– If the bracket does not fit: mark on the bumper cover where the corner (1) needs to be cut away, then cut it. If the car has a protective panel on the rear bumper, this may also need to be filed off  
– Tighten the bracket for the tow hitch member.
- 6** – Lift up the floor hatch (1). Lift up the storage hatch (2). Remove these two hatches from the car  
– Remove the side panel (3) on the left-hand side.
- 7** – Remove the screw (1) and the nut (2)  
– Remove the bracket (3) by pulling it forwards  
– Lift off the protective cover (4).

- 8** – Remove the cover plug from the hole in the bodywork (battery drainage is not affected).
- 9** – Route the cable harness from the tow bar connector through the hole in the floor  
– Adjust the position of the rubber seal (2) so that there is not too much slack in the cable under the car  
– Install the rubber seal in the hole  
– Route the cable as illustrated. Clamp the existing cable harness in the sill trim panel. Ensure that the cable harness is not impeded by the battery holder and the protective cover  
– Install the new holder for the connector (see illustration B)  
– Connect the cable harness connector (1) to the existing connector (3)  
– Secure the two connected connectors (4) in the existing hole in the bodywork.

- 10** Reinstall:  
– the protective cover and the bracket for the battery (see point 7)  
– the side panel, the storage compartment and the floor hatch (see point 6).

## 11 Checking the 4-pin connector:

1	Ground
2	Parking lamps
3	Brake lamp / Left-hand indicator lamp
4	Brake lamp / Right-hand indicator lamp