

V70 (00-) / V70 XC (01-)

Section 8 Group 88 No. 172 Date May -00

Nätficka, sidopanel i bagagerum

Ersätter utgåva
Replaces issue

Net pocket, side panel in the cargo compartment

Filet de rangement, panneau latéral dans le
compartiment à bagages

Netztasche, Seitenverkleidung im Laderaum

Bolsillo de red, panel lateral del maletero

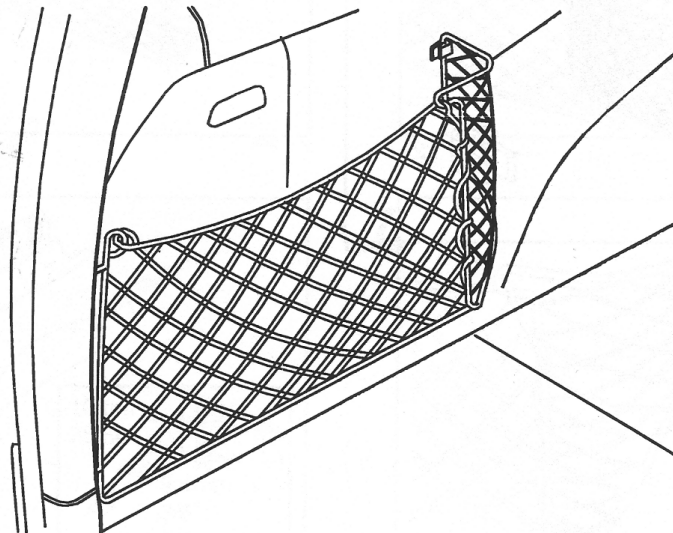
Opbergnet, zijpaneel in de bagageruimte

Verkkotasku, tavaratilan sivupaneeli

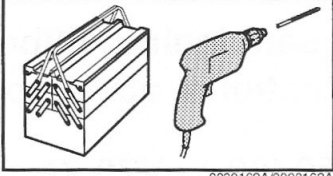
Tasca a rete, pannello laterale nel bagagliaio

Rede, painel lateral no compartimento de carga

カーゴのネットポケット、サイドパネル



8902106M



0000162A/0000163A

Comments on this publication?

Please contact your nearest dealer.

Publication no: MA 9172500 May -00

From:

Comments:.....

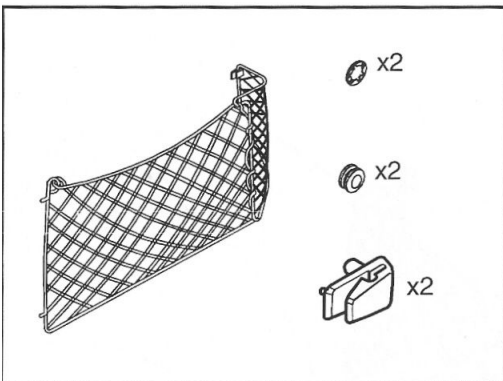
Address:

.....

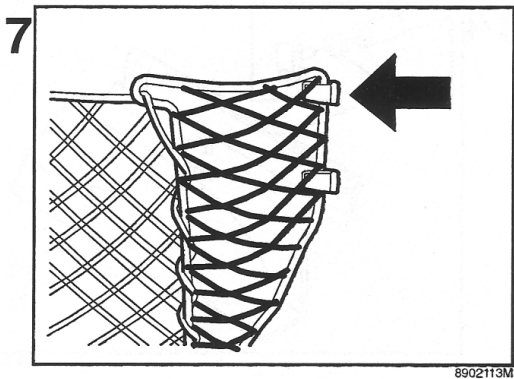
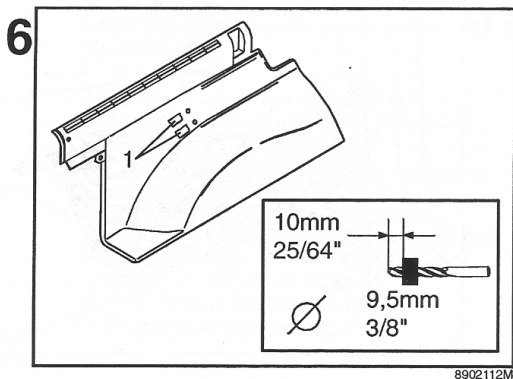
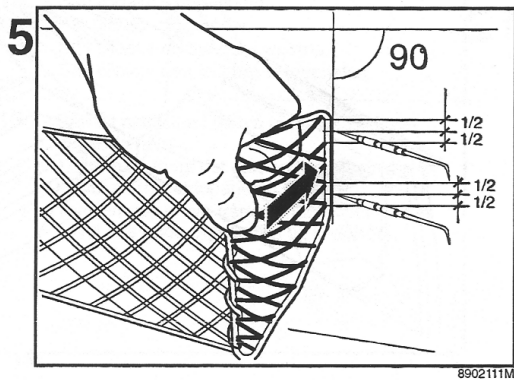
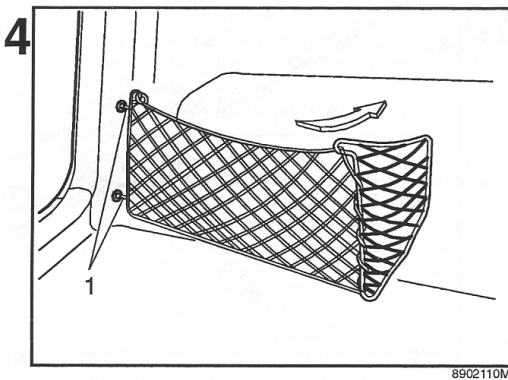
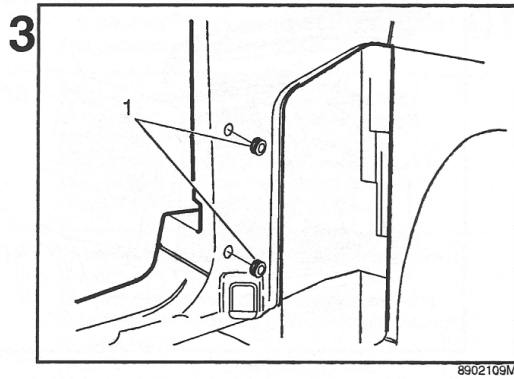
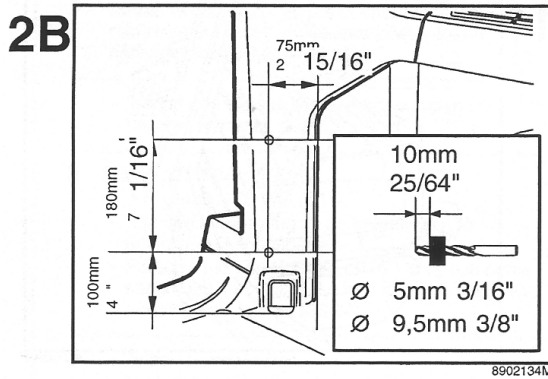
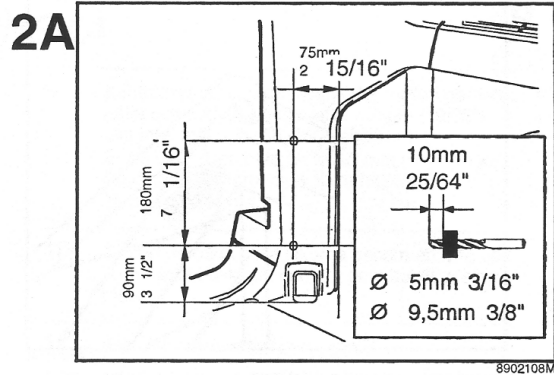
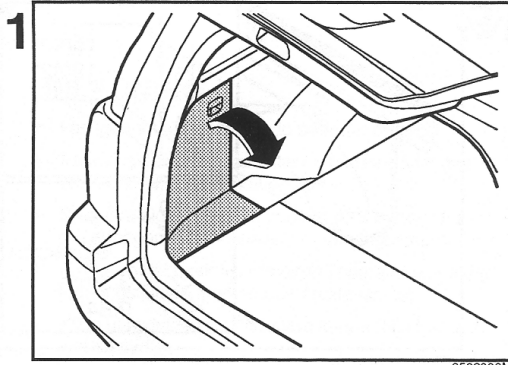
Telefax:

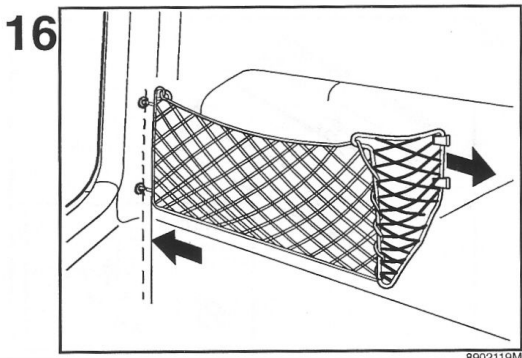
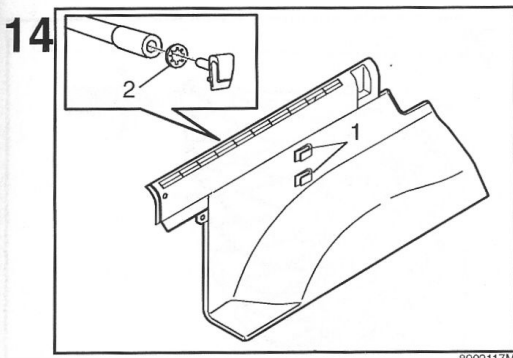
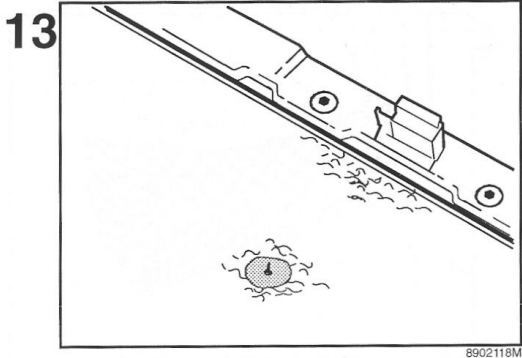
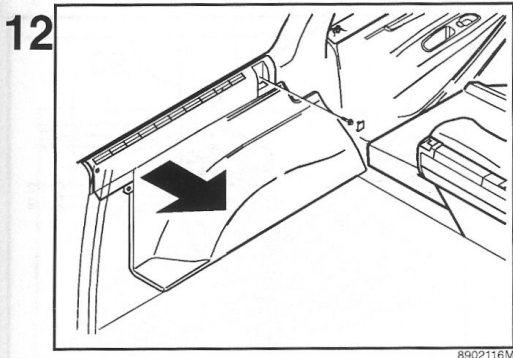
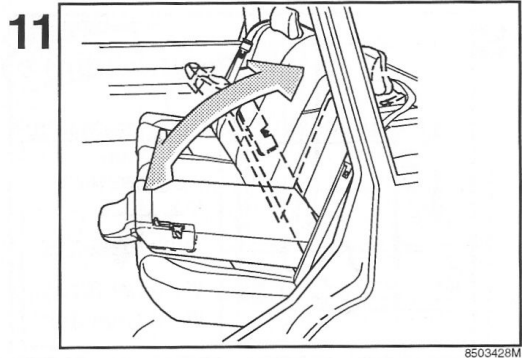
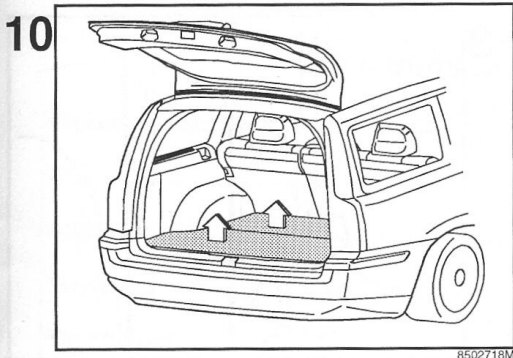
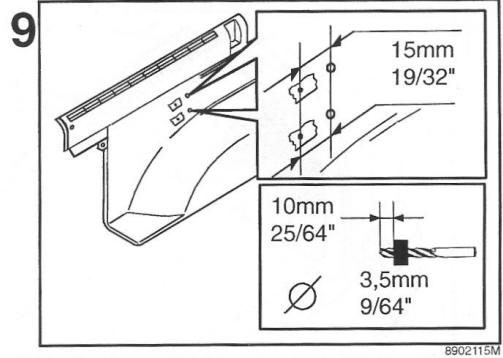
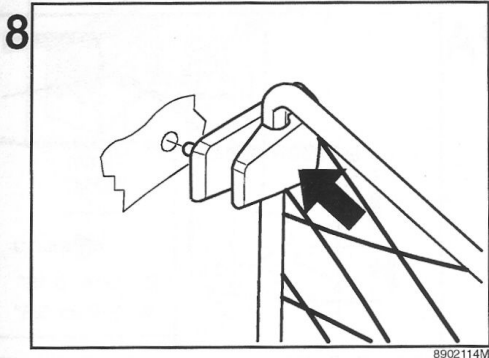
.....

Thank You!



8902107M





ENGLISH



INTRODUCTION

- Read through before starting work!
- The front page contains the date of this edition and the edition that it replaces.
- The tools required and the contents of the installation kit are shown on the second page.
- The pictures describe the method in order of operation. This order is repeated in the text section.
- Cut out the text page in order to follow the pictures and text at the same time.

~~~~~  
**Applies to the V70 (00-) with the accessory cargo compartment carpet:** Cut the carpet at the existing markings at the left rear corner so that the net pocket is correctly positioned.  
~~~~~

- 1** - Remove the left folding side panel in the cargo compartment.
~~~~~
- 2** Illustration A applies to the V70 (00-)  
Illustration B applies to the V70 XC (01-):
  - Measure up for drilling the rear holes for the net pocket in the D-post panel.
  - Pre-drill using a  $\varnothing$  5 mm (3/16") drill. Then drill out the holes to  $\varnothing$  9.5 mm (3/8"). Use a 10 mm (25/64") drill stop.  
~~~~~
- 3** - Remove any swarf.
 - Press the two rubber bushings (1) (from the kit) into the drilled holes.
~~~~~
- 4** - Insert the two pins (1) on the rear end of the net pocket into the two holes with the rubber bushings in the D-post panel.
  - Insert the net pocket against the side panel.  
~~~~~
- 5** - Align the front end of the net pocket with the profile of the side panel. Ensure that the vertical end of the net pocket is at right angles to the upper edge of the side panel.
 - Hold the end against the side panel. Make holes in the panel. Press a sharp awl in front of the end piece by the centre of the net as illustrated. Press straight through the panel.
 - Fold the net pocket out from the side panel.
~~~~~
- 6** - Drill out the two marked holes. Use a  $\varnothing$  9.5 mm (3/8") drill. Use a 10 mm (25/64") drill stop.
  - Install two pieces of tape (1) behind the drilled holes, as illustrated, to mark the guide holes for the clips.  
~~~~~
- 7** - Press a clip (from the kit) into the end of the net pocket as illustrated.
~~~~~
- 8** - Insert the end of the net pocket using the clips against the upper hole in the side panel
  - Align the thick pin for the clip in the hole. Hold the clip at right angles to the panel. Press so that the small locating pin on the clip indents the tape.
  - Remove the clip from the end of the net pocket.
  - Repeat the operation for the lower hole.
  - Remove the net pocket from the D-post panel.

- 9** - Check that the centre distance between the large hole and the indentation in the tape is 15 mm (19/32"). If it is not, measure the correct distance on the tape.
  - Drill out the hole. Use a  $\varnothing$  3,5 mm (9/64") drill bit. Use a 10 mm (25/64") boring stop.
  - Remove the pieces of tape.  
~~~~~
- 10** - Pull the rear edges of both floor hatches up. Pull the rear floor hatches backwards. Remove the rear floor hatches from the mountings.
~~~~~
- 11** - Fold the left hand rear backrest forward.  
~~~~~
- 12** - Remove the cover and the screw from the front edge of the left-hand side panel. Remove the left-hand side panel.
 - Pull the top edge of the panel inwards until the clip releases.
 - Fold the panel inwards. Lift the panel out.
~~~~~
- 13** - Press the awl through the upper large hole in the side panel. Localise the point through the insulation panel.
  - Scratch away the carpet to create a 20 mm (3/4") circle around the point of the awl. Do not rip pieces of the carpet up.  
~~~~~
- 14** - Press the two clips (1) into the holes in the side panel.
 - Lock the clips using the two locking washers (2) from the kit. Create a counterhold when installing the locking washers.
 - Reinstall the insulation panel.
~~~~~
- 15** - Reinstall the side panel.
  - Fold the backrest back into place.
  - Reinstall the two floor hatches.
  - Reinstall the foldable side panel.  
~~~~~
- 16** - Install the net pocket in the two holes with rubber bushings.
 - Press in as far as possible. At the same time twist the net pocket into place against the side panel.
 - Press the thick wire in the front end of the net pocket into both clips until a click is heard.