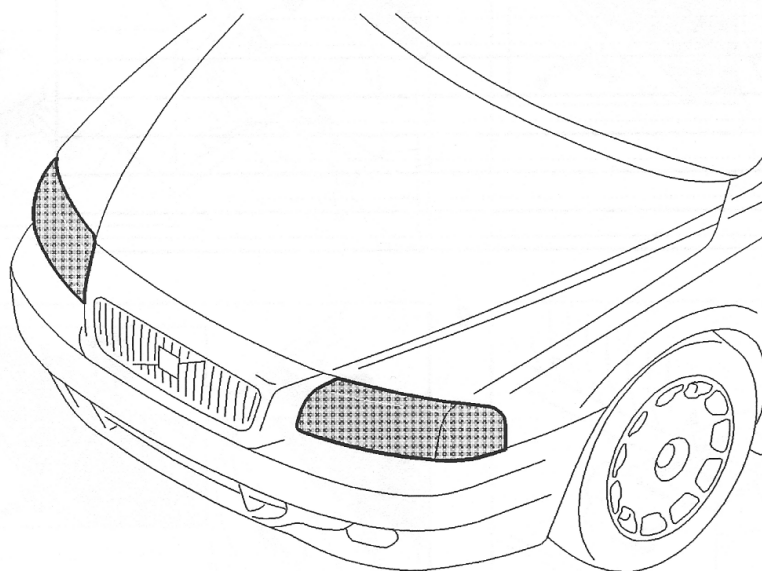


VOLVOVolvo Car Corporation
Göteborg, Sweden**Installation instructions, accessories****S60 / V70 (00–) / V70 XC (01–)**

Section	Group	No.	Year	Month
3	35	0077	2000	10

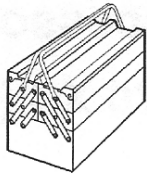
Replaces issue: 2000 08

Strålkastarskydd
Headlamp guard
Protection du phare
Scheinwerferschutz
Pantalla protectora de faros
Koplampbescherming
Valonheittimen suojuukset
Protezione proiettori
Resguardo do farol
ヘッドランプガード

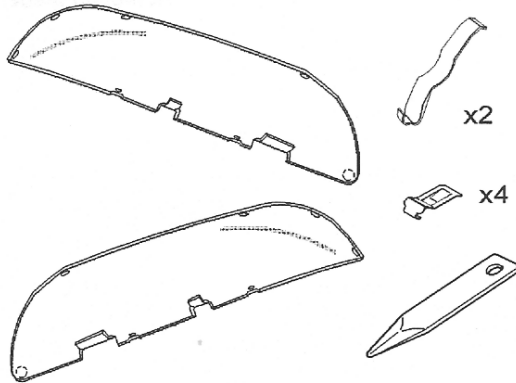


DB400670

020741



A0000162



M8400805

**Any comments on this publication? Please contact your nearest dealer.
Thank you!**

Publication no: MA 8622741, Issue: 2000-10

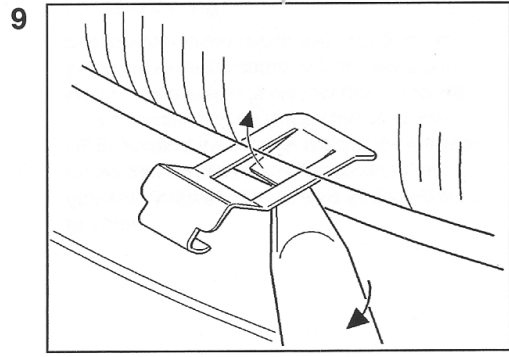
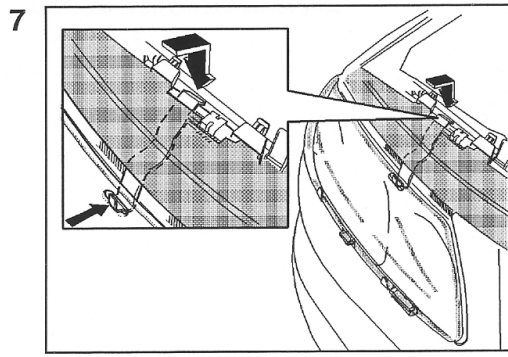
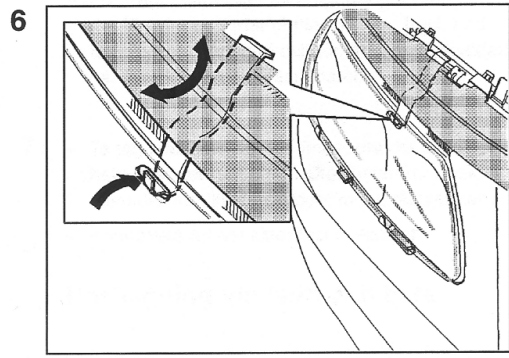
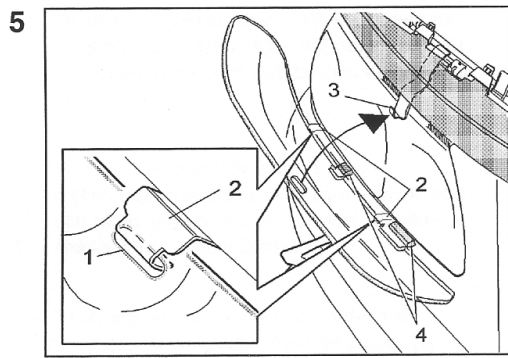
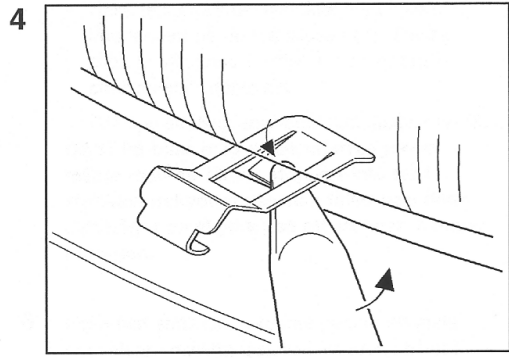
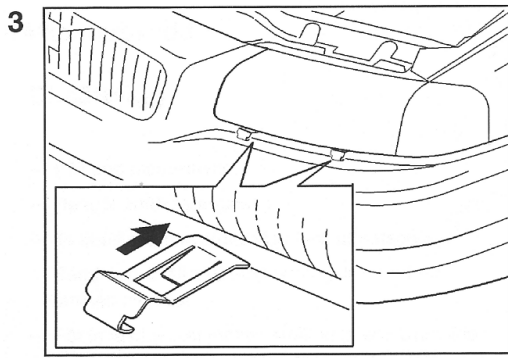
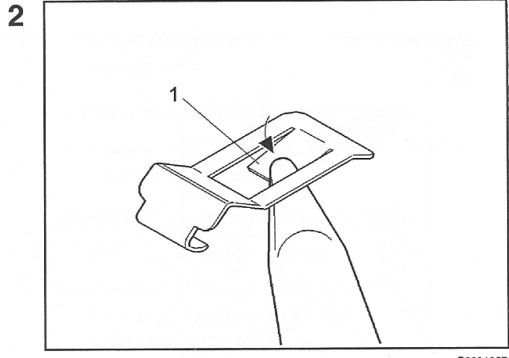
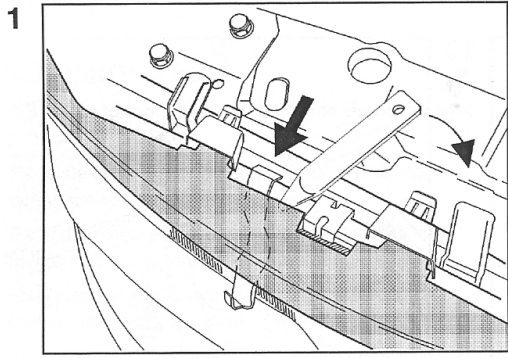
Comments:.....
.....
.....
.....
.....

From:.....

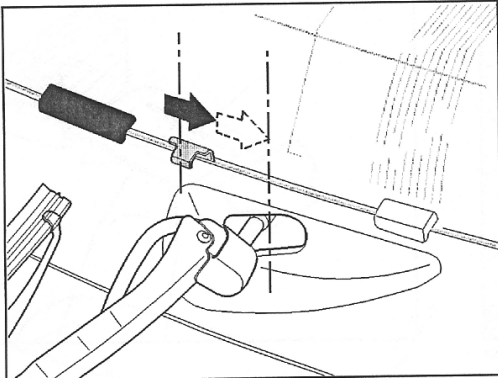
Address:.....

Telephone no:.....

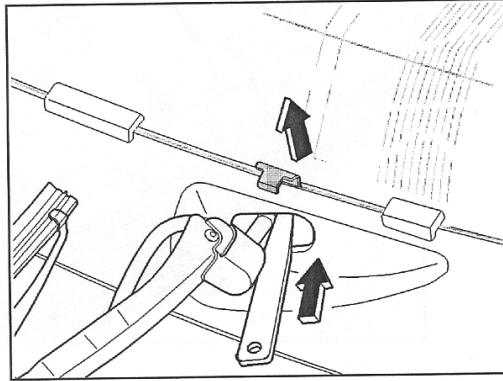
Telefax:.....



10
A



10
B



- 9** **OBS!** Strålkastarskydd är en förslitningsdetalj som bör bytas ut vid behov. Vid byte av strålkastarskydd skall samtliga detaljer i den nya satsen användas. Inga av de gamla detaljerna skall återanvändas.

- Ta bort strålkastarskyddet enligt punkt 8.
- Ta bort clipsen genom att trycka upp tungan på clipset med ett falsben av plast eller liknande, som bilden visar.

10 **Gäller bilar med strålkastar rengörare**

OBS! För att ta bort de inre clipsen måste dessa skjutas i sidled tills dess att de kommer mitt för hålet för strålkastar rengörarens axel, enligt bild A.

- För in en liten skruvmejsel eller ett falsben och tryck in tungan på clipset, samtidigt som detta dras ut. Se bild B.
- De yttre clipsen tas bort enligt tidigare beskrivning i punkt 9.

English

INTRODUCTION

- **NOTE!** Read through the entire text before carrying out any work.
- The front page gives the date of this edition and the edition it replaces
- The second page shows the tools needed for the installation and the contents of the installation kit
- The illustrations display the procedure in order of operation. The order of operation is repeated in the text section
- Cut out the text page in order to follow the illustrations and text at the same time.

Headlamp guard

Installation

- 1** – Open the bonnet
 - Clean the headlamp lens
 - Take the mounting strips for the headlamp guards from the kit
 - Pry up the weatherstrip for the headlamp. Use a plastic weatherstrip tool
 - Insert the mounting strip between the top of the headlamp and the weatherstrip. Position the mounting strip as illustrated.
- 2** – Remove the two clips from the kit. Check that the tab (1) is angled a few millimetres below the other surface. If it is not, bend the tab down as illustrated.
- 3** – Press the two clips into the gap between the lower edge of the headlamp and the weatherstrip, approximately at the point illustrated. Use the headlamp guard as a template.
- 4** – Insert a plastic weatherstrip tool between the weatherstrip and the clips. Bend the tab down further on the clips to ensure that the clips are secure.

NOTE! Do not damage the paint work.

- 5 – Remove the protective film from the headlamp guard (from the kit).

Applies to cars without headlamp washers

- Position the headlamp guard opposite the headlamp.

Applies to cars with headlamp washers

- Fold the headlamp washer out
– Position the headlamp guard so that the cut out in the lower edge is opposite the two stops (4) for the headlamp washer.

Applies to all cars

- Hook the headlamp guard into place in the holes (1) in the lower edge of the two clips (2). These clips slide sideways to suit the holes in the headlamp guard
– Fold up the headlamp guard towards the mounting strip (3).

NOTE! Ensure that the stop does not catch the headlamp guard when folding it upwards on cars with headlamp washers. Lift the guard slightly so that the stop is positioned in the cut out.

- 6 Hook the headlamp guard into place. Secure the hook on the previously installed mounting strip in the hole in the top edge of the headlamp guard as follows:

- Slide the mounting strip forward as far as possible. Ensure that the mounting strip is not concealed under the weatherstrip. Press the front edge of the mounting strip downwards. Slide the hole for the headlamp guards over the hook. Secure the hook in the hole.

- 7 – Grasp the free end of the mounting strip. Pull the mounting strip backwards. Hook the mounting strip around the edge in the headlamp. At the same time, press the headlamp guard towards the headlamp
– Check that the guard is properly secured.

Removing when cleaning and replacing

- 8 The headlamp guards must be removed when using a car wash. Carry out the procedure in points 1, 5, 6, 7 reverse order.

The headlamp guards must also be removed when cleaning the headlamps and the inside of the headlamp guards. This must be carried out regularly to prevent deterioration in the function of the headlamps.

NOTE! Do not use strong washing agents which can affect the transparency of the headlamps and therefore the function.

- 9 **NOTE! The headlamp guard is a perishable component which must be replaced when necessary. When replacing the headlamp guards, all the components in the kit must be used. Do not reuse the old components.**

- Remove the headlamp guard. See 8
– Remove the clips by pressing up the tab on the clip using a plastic weatherstrip tool as illustrated.

- 10 **Applies to cars with headlamp washers**

NOTE! To remove the inner clips, slide the clips sideways so that they are positioned opposite the hole for the headlamp washer shaft. See illustration A.

- Insert a small screwdriver or weatherstrip tool. Press in the tab on the clip at the same time as pulling outwards. See illustration B
– Remove the outer clips. See the earlier description in point 9.

