

VOLVO**Installation instructions, accessories**Volvo Car Corporation
Göteborg, Sweden**V70 XC (01-)**

Section	Group	No.	Year	Month
3	35	0082	2001	03

Dimstrålkastarskydd

Fog lamp protectors

Protecteur pour feu antibrouillard

Schutz für die Nebelleuchten

Protecciones de la luz antiniebla

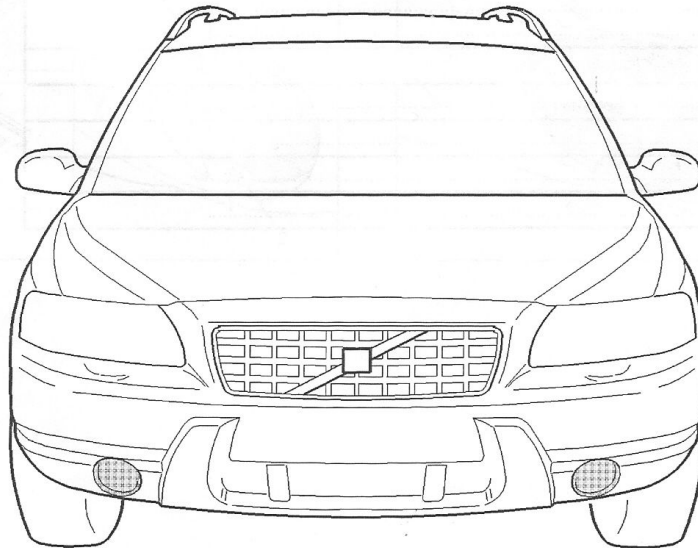
Mistlampbeschermers

Sumuvalon suojus

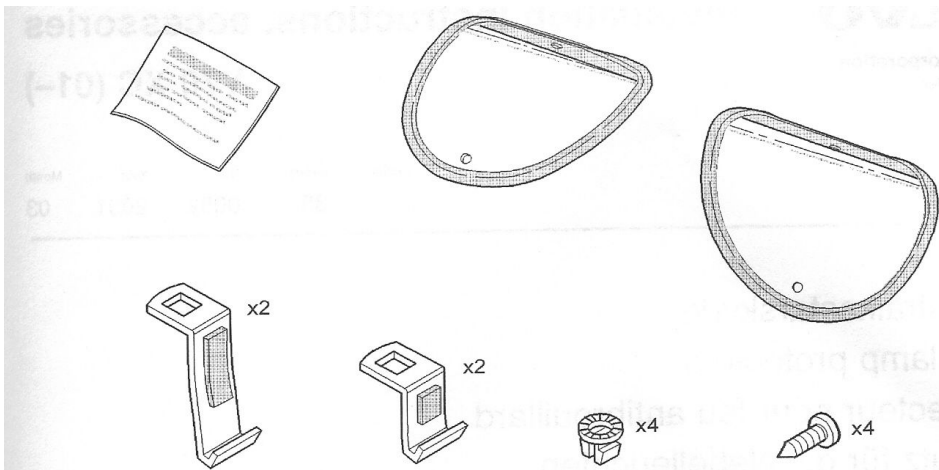
Protezioni proiettori fendinebbia

Protectores das luzes de nevoeiro

フォグランププロテクター



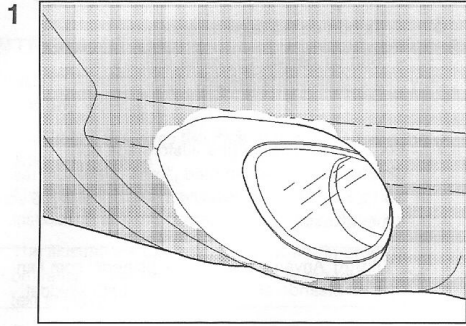
M3501324



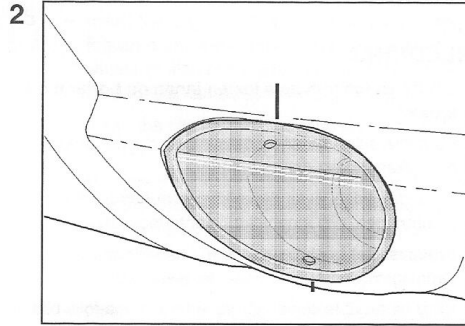
M3501325

Any comments on this publication? Please contact your nearest dealer.
 Thank you!

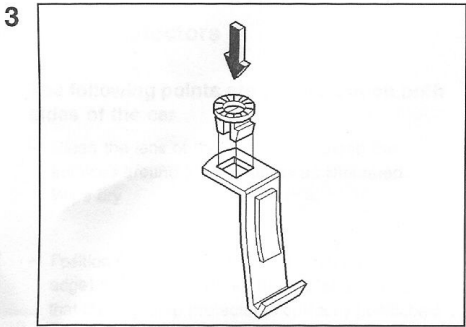
Publication no: MA 8622998, Issue: 2001-03
Comments:.....
From:.....
Address:.....
Telephone no:.....
Telefax:.....



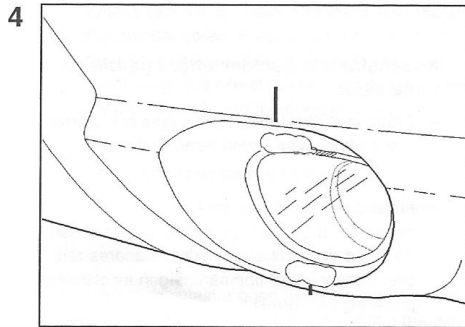
M3501326



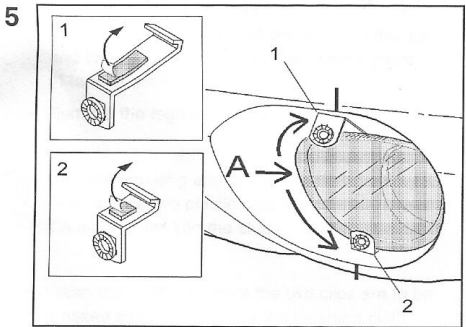
M3501327



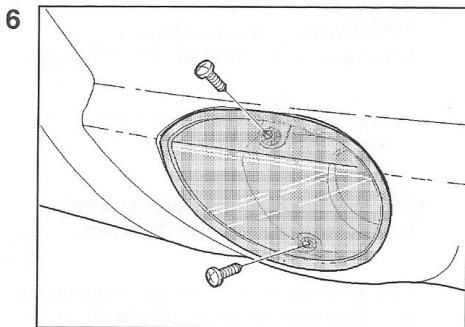
M3501328



M3501329



M3501330



M3501331

ENGLISH

INTRODUCTION

- **NOTE! Read through the entire text before carrying out any work.**
- The front page gives the date of this edition and the edition it replaces
- The second page shows the tools needed for the installation and the contents of the installation kit
- The illustrations display the procedure in order of operation. The order of operation is repeated in the text section
- Cut out the text page in order to follow the illustrations and text at the same time.

Fog lamp protectors

1 The following points are carried out on both sides of the car

- Clean the lens of the fog lamps. Clean the surfaces around the fog lamps as illustrated. Wipe dry.
- 2 – Position the fog lamp protector (marked at the top edge) over the cut out for the fog lamp. Ensure that the fog lamp protector is correctly positioned over the cut out so that the markings for the clips are positioned correctly
 - Mark out for positioning the clips. Mark the centre of the holes in the fog lamp protector on the top and bottom of the bumper cover. Use a piece of tape or similar
 - Remove the fog lamp protector.
- 3 – Remove one long and one short clip from the kit. Also remove two plastic nuts from the kit. Press the plastic nuts into the clips.
- 4 – Clean the surfaces where the two clips are to be pressed into position. Use the cleaning cloth

- 5 – Insert the long clip (1) in the gap between the fog lamp and the bumper cover (A), at the widest section of the gap. If necessary a small screwdriver can be used enlarge the gap
 - Insert the clip towards the tape marking on the top side of the fog lamp (1)
 - Remove the masking tape from the clip. Ensure that the hook on the clip engages around the edge in the bumper cover. Align the clip at the tape markers. Press the clip securely into the bumper cover
 - Insert the short clip (2) in the same way (at A)
 - Remove the masking tape from the clip. Carefully insert the clip to the lower tape marker (2). Ensure that the tape on the clip does not catch the bumper cover. Ensure that the hook on the clip engages around the edge in the bumper cover. Align the clip at the tape markings. Press the clip securely into the bumper cover.

- 6 – Remove the two tape markings
- Install the two screws. Tighten the fog lamp protector.

- 7 In order to maintain a good beam of light, regularly remove the fog lamp protectors and clean the fog lamps and the fog lamp protectors.

Caution! Do not use a cleaning agent that has an etching effect on the fog lamp protector.