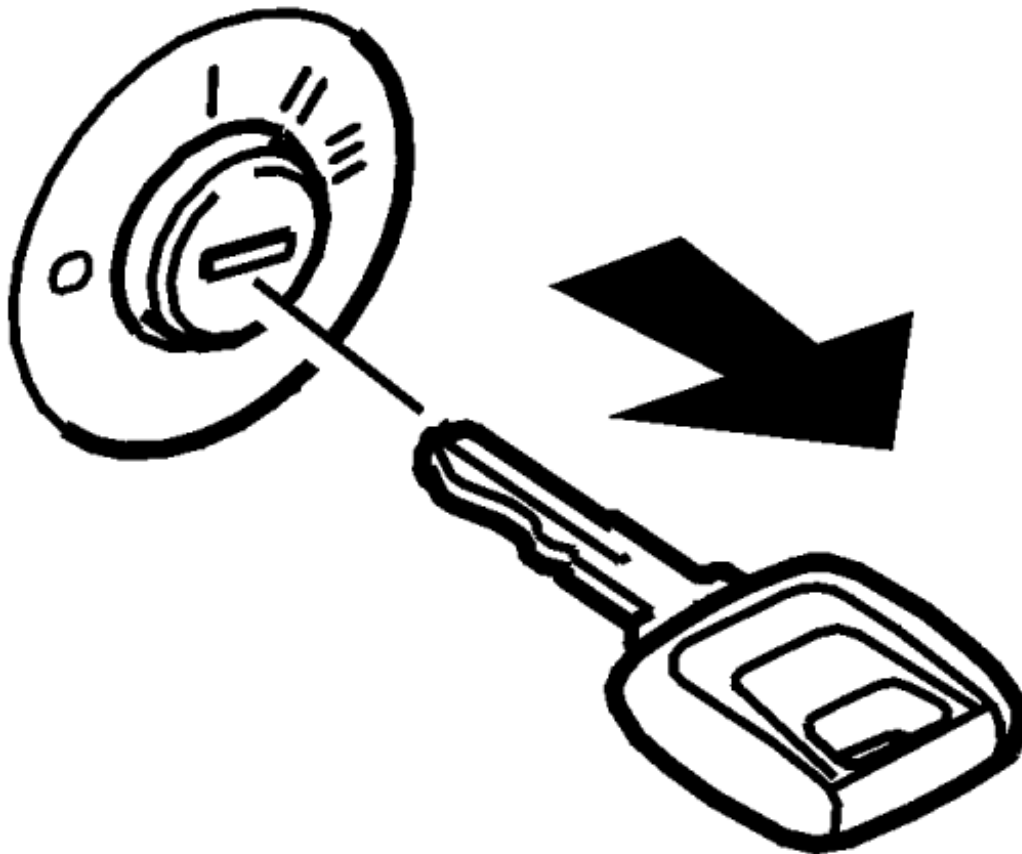


Service and Repair

Control Module, Sun Roof, Replacing

The illustrations in this service information are used for different model years and/or models. Some variation may occur. However, the essential information in the illustrations is always correct.

Preparations

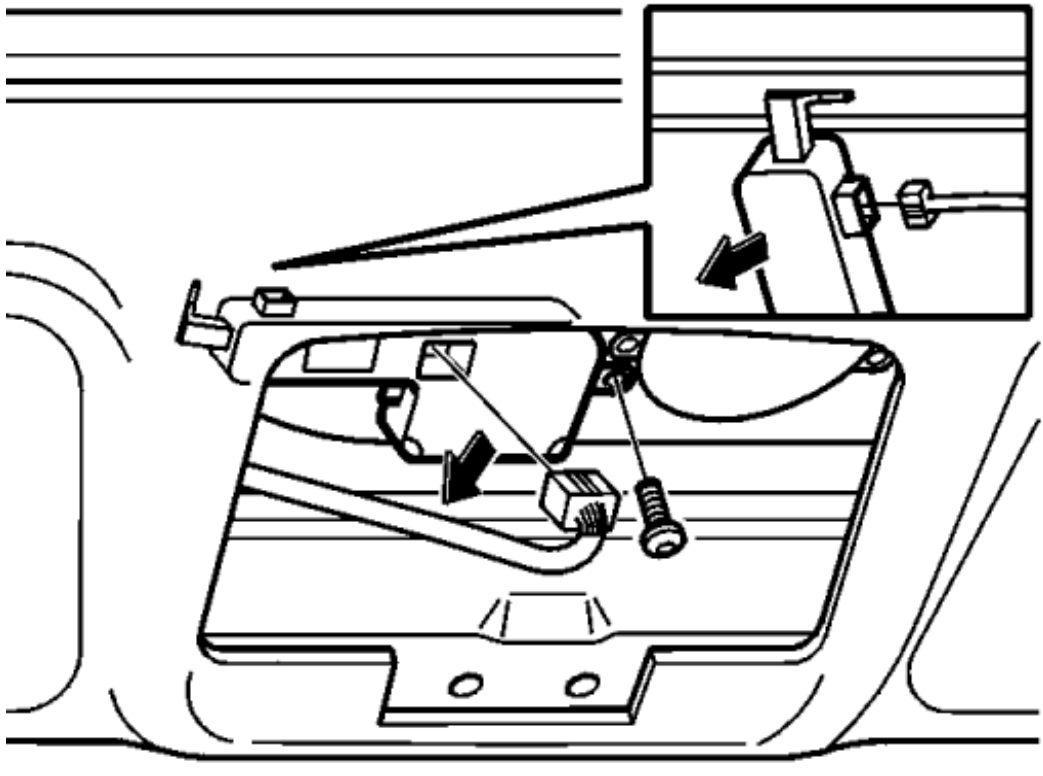


- * Close the sun roof.
- * Ignition off.
- * Remove the key.

NOTE: After removing the key, wait one minute before starting work.

Removing the sun roof control module

Remove:



- * the upper electronic module (UEM).
- * the first connector
- * 1 screw.

Detach the control module and lift it down.

Remove:

- * the second connector
- * the control module for the sun roof.

Installing the sun roof control module

Install:

- * the small connector
- * the control module
- * 1 M6 screw. Tighten
- * the large connector
- * the upper electronic module (UEM).

Calibrate the control module for the sun roof.