

Service and Repair

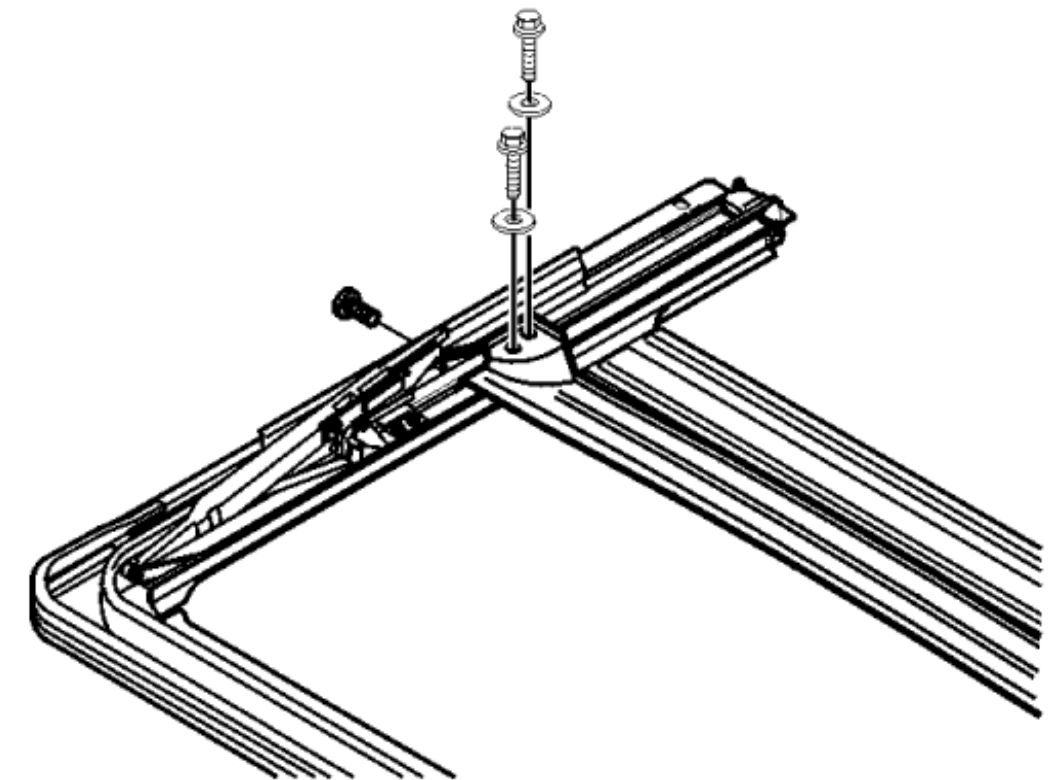
Gutter Sun Roof, Replacement

NOTE: The illustrations in this service information are used for different model years and/or models. Some variation may occur. However, the essential information in the illustrations is always correct.

Removing the gutter

The sun roof must be in the half open position.

Remove:



- * the glass cover.
- * the 2 screws (mounting to the mechanism, screwed from outside).

Pull the gutter forwards slightly.

Remove:

- * 4 screws with washers,
- * the drainage channel.

Installing the gutter

Install:

- * the gutter
- * 4 screws with washers. Tighten.

Slide the gutter backwards so that the hole on the link corresponds to the hole in the mechanism.

Install:

- * the 2 screws, (screwed from the outside). Tighten
- * the glass cover.
- * Check for leakage.