

83: Rear side door

V70 XC (01-) / XC70 (-07), 2001, B5244T3, AW50/51

AWD, L.H.D, YV1SZ58D811036138, 036138

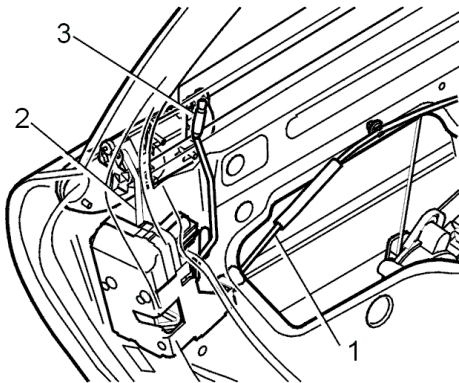
13/1/2012



PRINT

83: Rear side door**Lock mechanism
rear side door,
replacing**

Note! The illustrations in this service information are used for different model years and / or models. Some variation may occur. However, the essential information in the illustrations is always correct.

**Removing rear side
door lock
mechanisms**

The window must be closed.
Remove the door panel. See Panel, rear side door, replacing .
Move the run-off profile to one side. See Drip guard .

Remove:

- the link for the handle
- the link for the lock button.

Remove the 3 screws.
Slacken off the screw for the guide rail.
Push the guide rail out of the way.
Angle out the lock mechanism.
Disconnect the connector.
Unhook the end of the mechanical cable.

**Installing the lock
mechanism for the
rear side door**

Note! For tightening torques, see Tightening torque .

Angle the lock mechanism into the

door.

Install:

- the 3 M6 screws.
Tighten
- the link from the outside handle
- the link from the lock button.

Push the guide rail back into place.

Install:

- the screw for the guide rail. Tighten
- the connector
- the end of the cable
- the run-off profile.
See Drip guard
- the door panel.
See Panel, rear side door,
replacing .

PRINT

13/1/2012