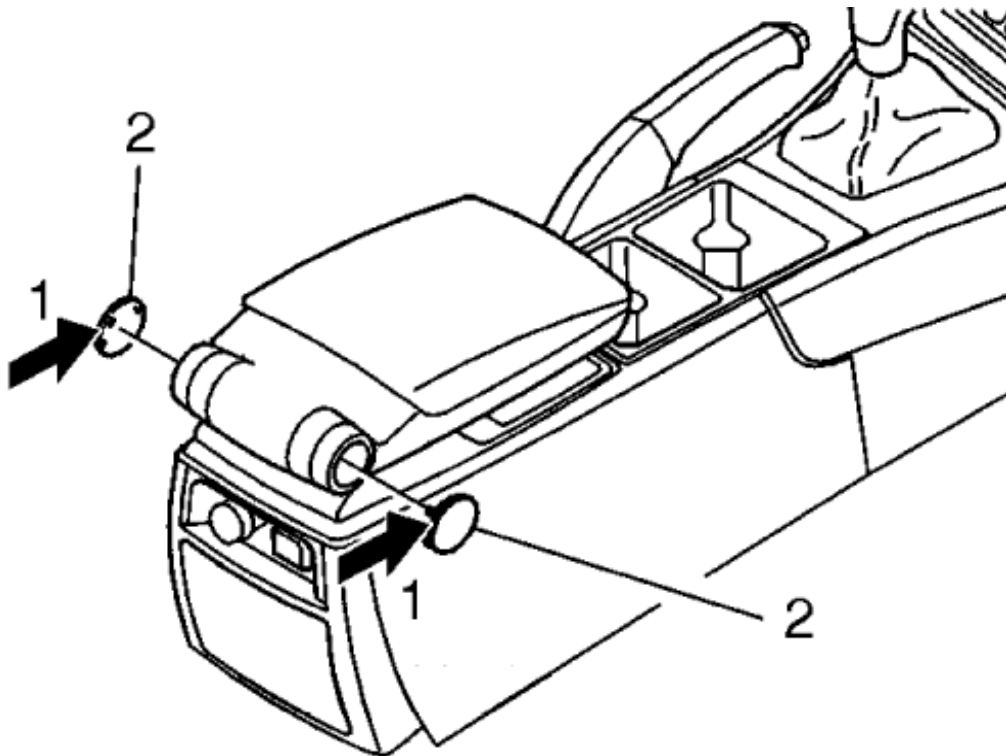


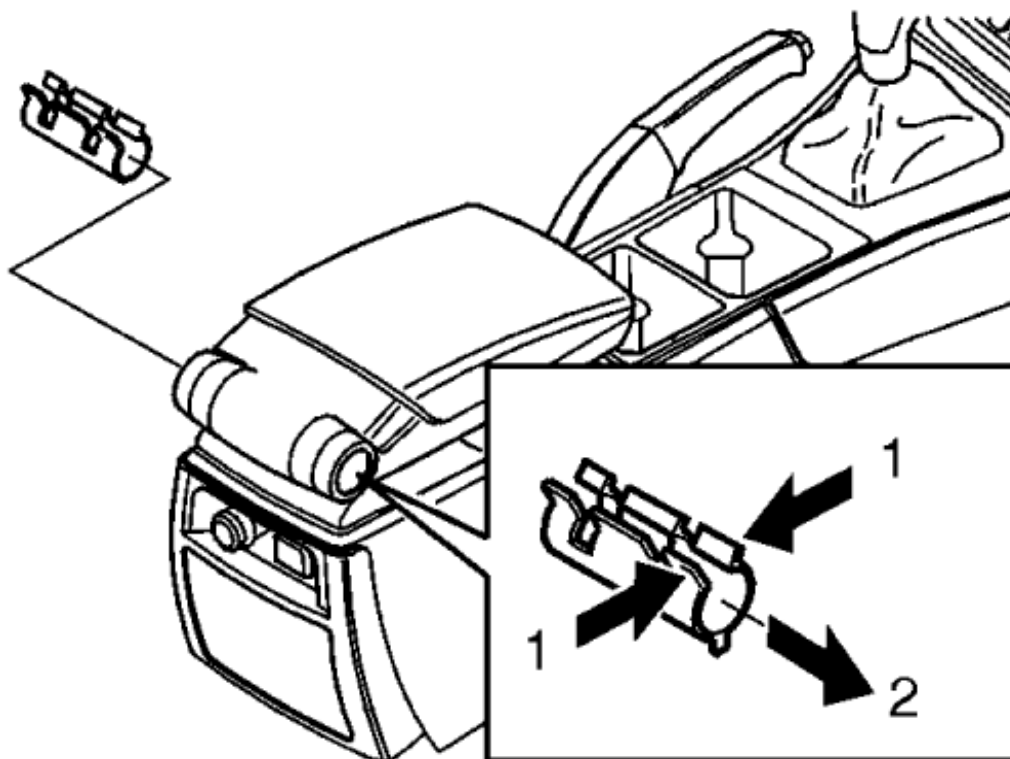
Removing the armrest



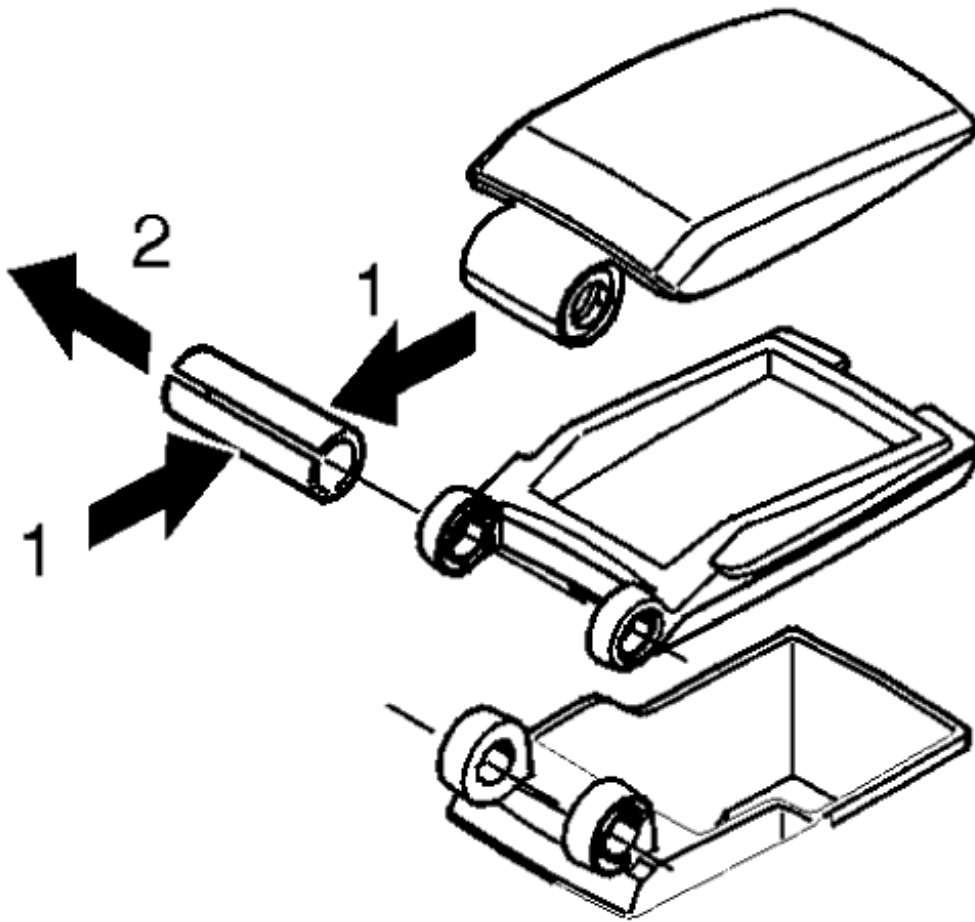
* Carefully remove the cover (2).

HINT: Hold the rear end (1).

NOTE: Use round-nosed pliers.



Remove the catch by pressing it together (1) and pulling it straight out (2).



* Press the shaft together (1) and pull straight out (2).

Separate the armrest

Install:

In reverse order.