

45: Propeller Shaft, B5244T3, AW50/51 AWD
V70 XC (01-) / XC70 (-07), 2001, B5244T3, AW50/51
AWD, L.H.D, YV1SZ58D811036138, 036138
24/5/2012



PRINT

45: Propeller Shaft, B5244T3, AW50/51 AWD

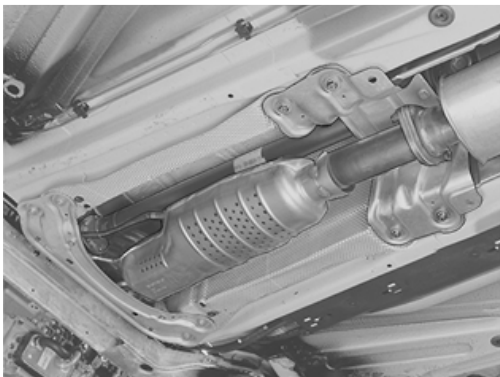
**Propeller shaft,
replacing**

Special tools:
999 5743

Note! As the illustrations in this service information are used for different model years and / or models, some variation may occur. However, the essential information is always correct.

Removal

Removing the front member

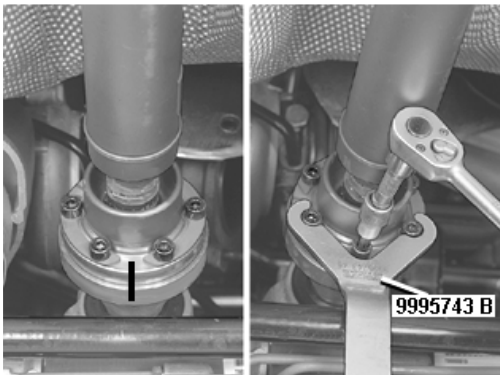


Remove the front member from the body, exhaust pipe and three-way catalytic converter (TWC). Remove the brake pipe from the mountings in the member.

Removing the front propeller shaft

Note! If the same propeller shaft is to be reinstalled. Mark the propeller shaft CV joint in relation to the bevel gear flange.

Remove the screws from the propeller shaft.
Use counterhold 999 5743 .



Removing the rear

section of the exhaust system

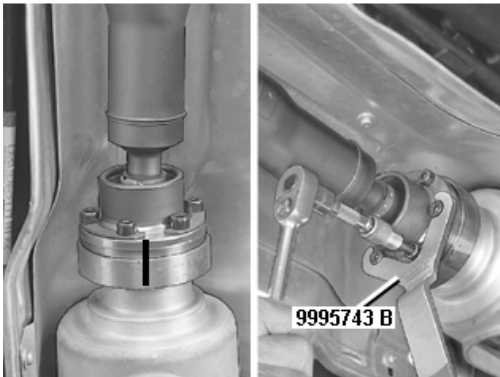


Raise the vehicle.
Support the front section of the exhaust pipe so as not to put strain on the exhaust manifold.
Remove the rear exhaust system assembly.

Removing the rear propeller shaft

Note! If the same propeller shaft is to be reinstalled. Mark the position of the joint on the flange.

Remove the screws from the joint. Use counterhold 999 5743 .
Leave one screw in place by a few threads for safety.



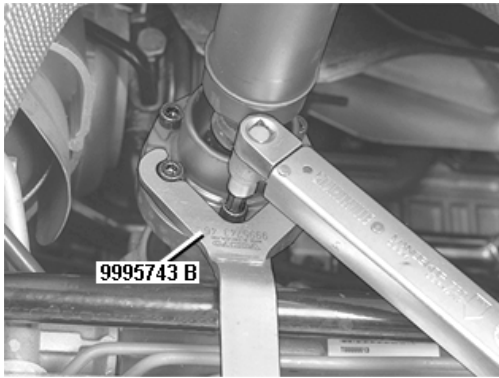
Remove the screws from the propeller shaft center bearing. Slacken off the screws in the support for the center bearing on the right-hand side a few turns. Fully remove the screws on the left-hand side
Let the center support hang down so that the propeller shaft can be angled.
Remove the screw from the joint. Press the shaft joints together, detach it from the flange.
Remove the shaft.

Installation

Note! To ensure that there is no exhaust leakage, see Flanged joint, assembling .

Installing the propeller shaft, front

Check carefully that the mating



surfaces on the propeller shaft and flange are clean.

Note! If the same propeller shaft is to be reinstalled. Install the propeller shaft according to markings, see Propeller shaft, replacing:Removing the front propeller shaft .

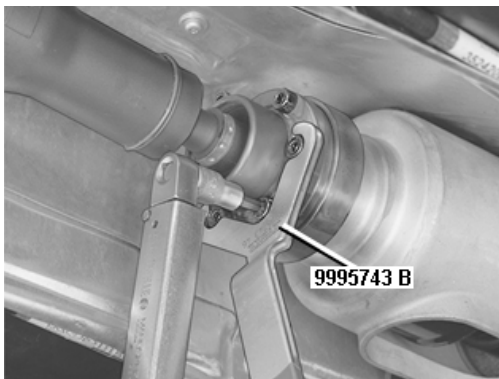
Tightening the propeller shaft CV joint

Use new screws.

First tighten the screws crosswise. Tighten to **8 Nm**. Then tighten to **30 Nm**.

Use counterhold 999 5743 .

Installing the propeller shaft, rear



Note! If the same propeller shaft is to be reinstalled. Install the propeller shaft according to markings, see Propeller shaft, replacing:Removing the rear propeller shaft .

Check carefully that the mating surfaces on the propeller shaft and flange are clean.

Align the propeller shaft CV joint against the flange.

Install the screws loosely in the support for the center bearing and the propeller shaft.

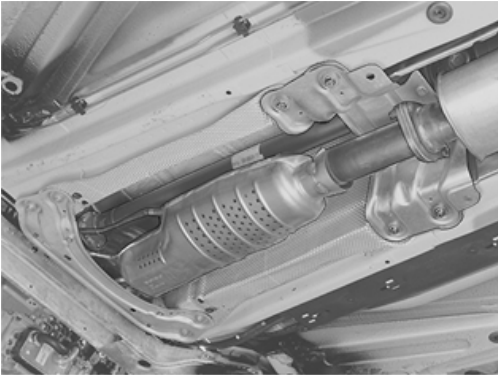
Tightening the propeller shaft CV joint

Check carefully that the mating surfaces on the propeller shaft and flange are clean.

Use **new screws** when installing the propeller shaft. First tighten the screws that are opposite each other. Tighten to **10 Nm**. Then tighten all the screws crosswise. Tighten to **25 Nm**. Use counterhold 999 5743 .

Installing members and the exhaust system

Tighten the screws for the support for the center bearing. Tighten to

**25 Nm.**

Tighten the screws for the propeller shaft center bearing. Tighten to **25 Nm.**

Install:

- the front member on the bodywork, the exhaust pipe and the three-way catalytic converter (TWC). Tighten to **25 Nm**
- the brake pipe in the mountings in the member
- the rear exhaust pipe assembly.

24/5/2012

PRINT