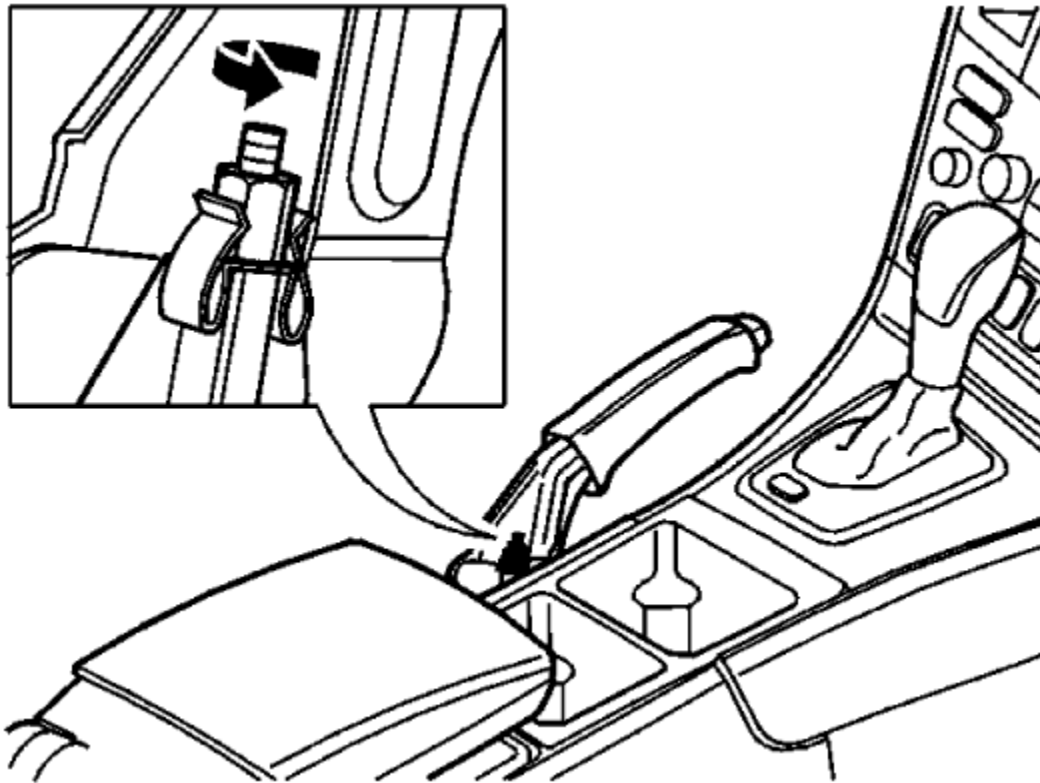


Service and Repair
Parking Brake, Brake Shoes, Replacing

Removal

Remove the panel covering the [parking brake lever](#).

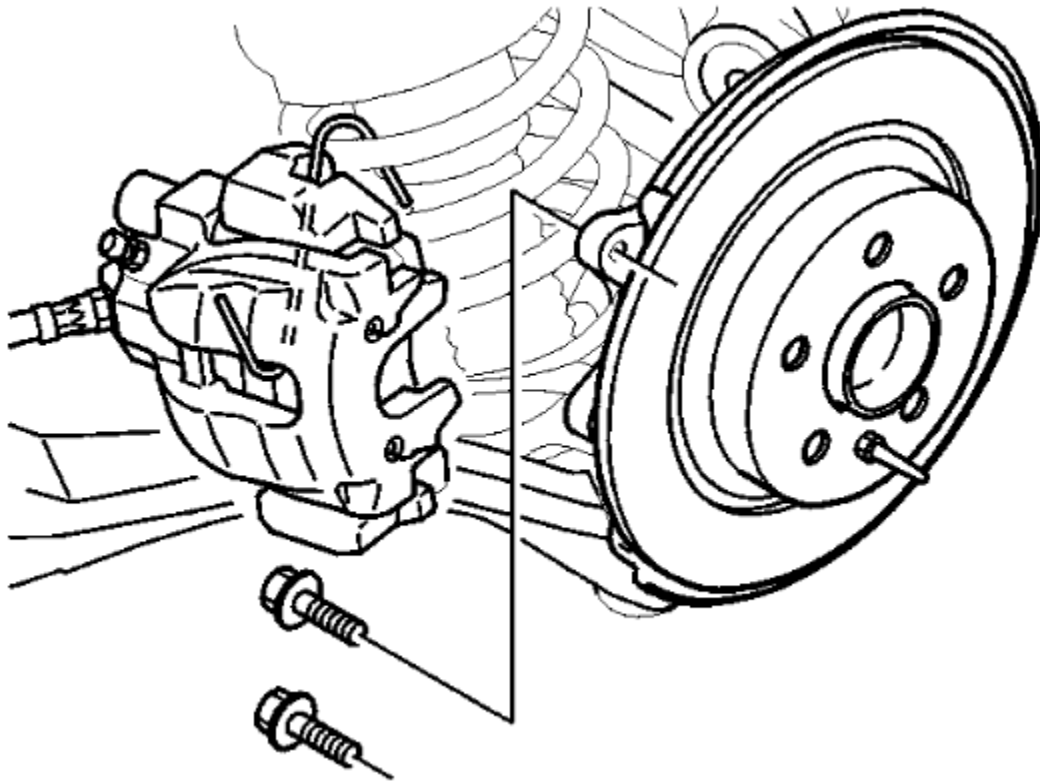
Release the parking brake adjuster



Slacken off the adjustment screw 5-10 turns so that the brake disc can be removed.

Remove the rear wheels

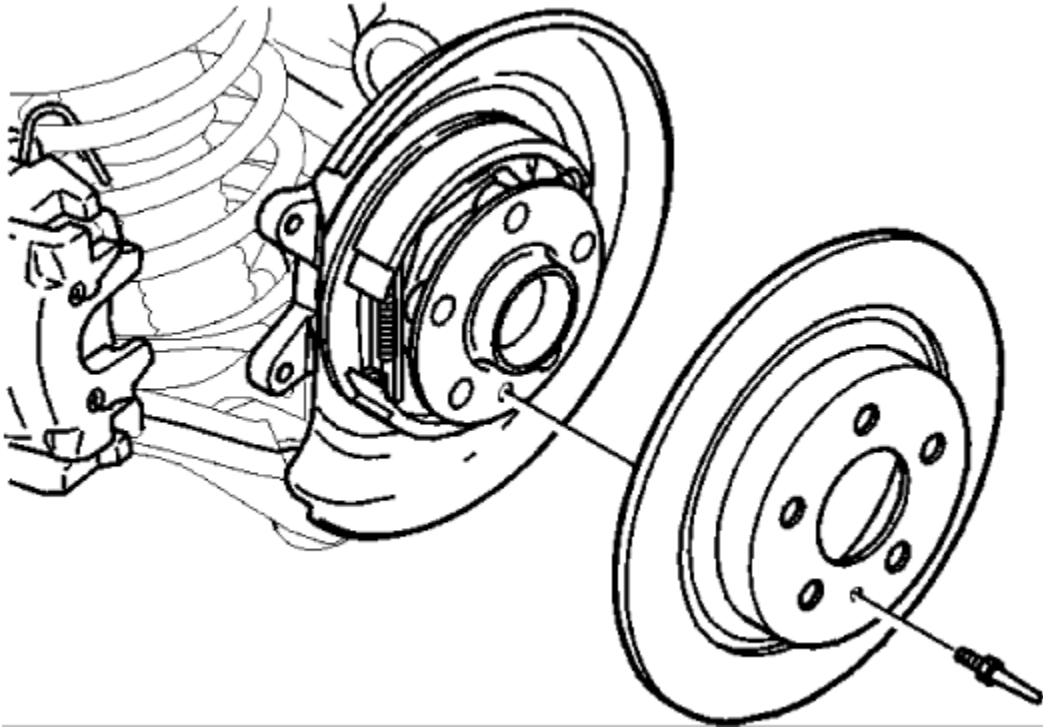
Remove the [brake caliper](#) and holder



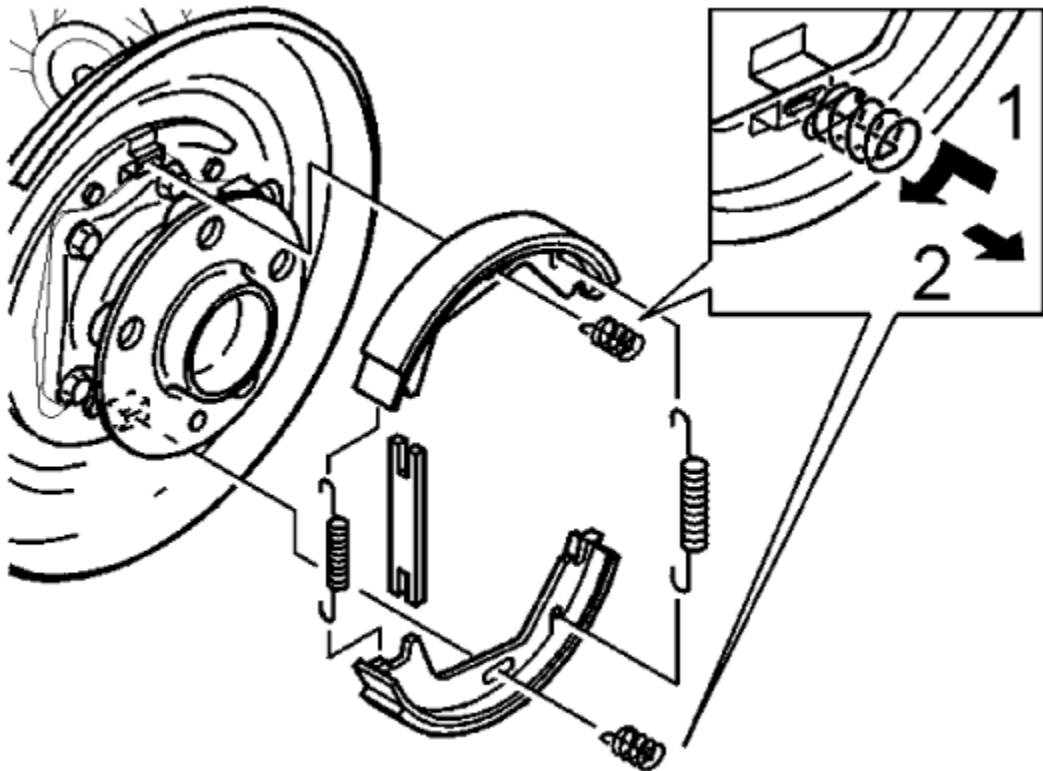
Hang the [brake caliper](#) from the spring using a wire.

NOTE: Do not damage the ABS line.

Remove the brake disc



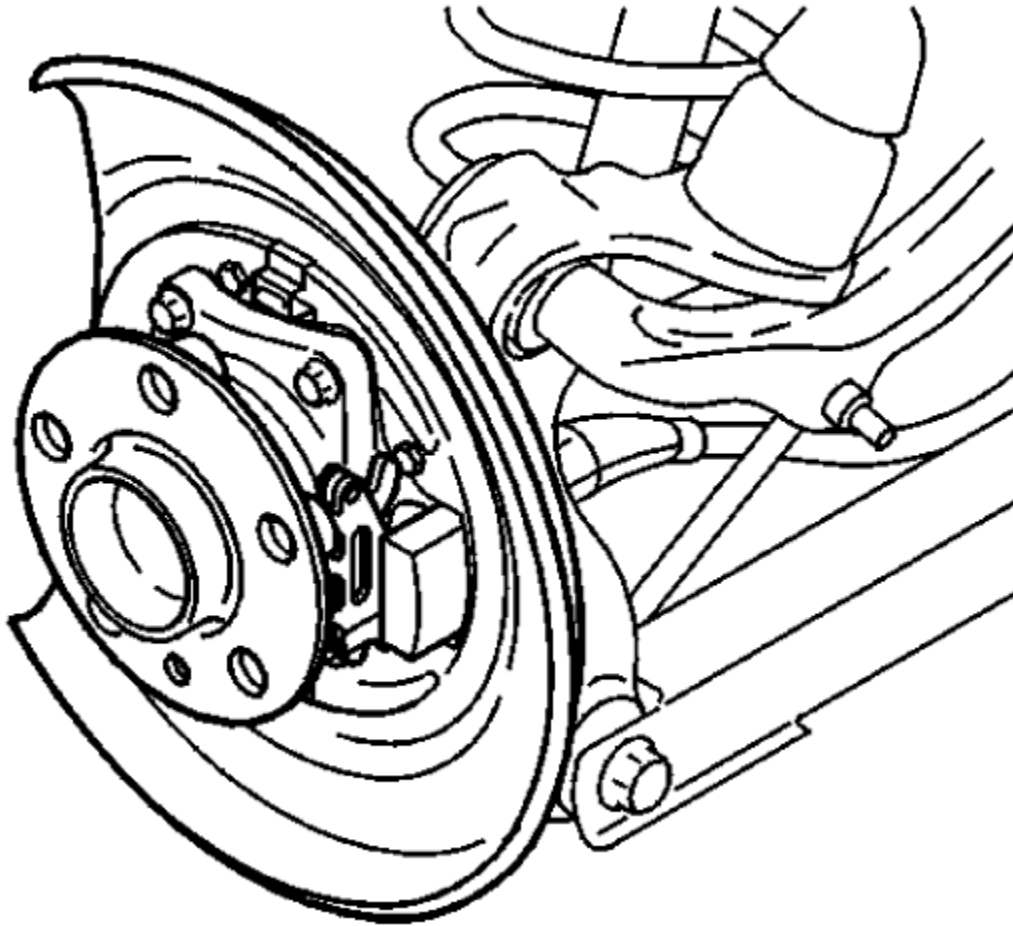
Remove the brake shoes



Remove the two securing springs on the brake shoes.

Press in the spring (1). Pull the spring sideways slightly so that it releases (2).
Detach the return spring at the expander.
Bend the brake shoes apart and remove them with the return spring and spacer.

Cleaning and checking

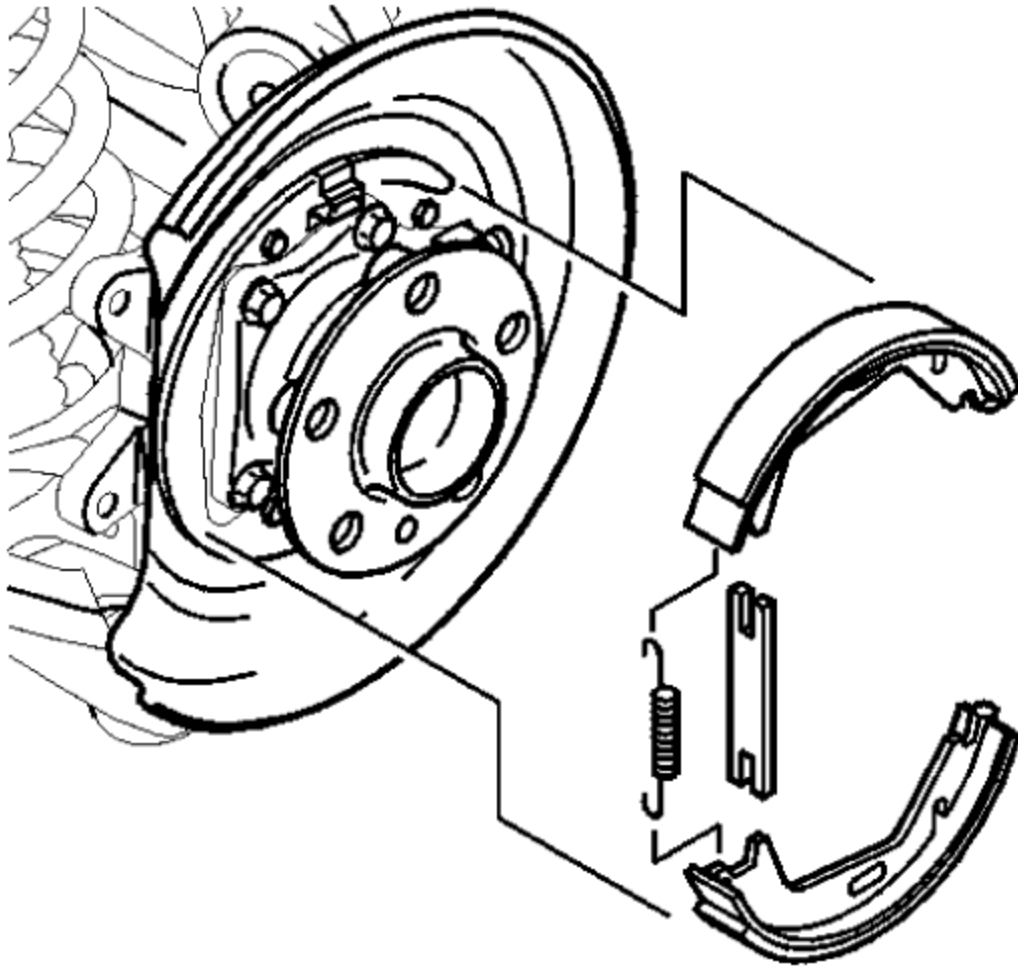


Check that no grease has leaked out of the wheel hub.
Check the parking brake expander for damage. Lubricate if necessary.
Clean the surfaces of the brake drum where the brake shoes make contact.
Check that hub flange is clean. Remove any rust.
Lubricate the contact surfaces on the brake shield. Use heat resistant grease, P/N 1161325-4.

Installation

Install the brake components

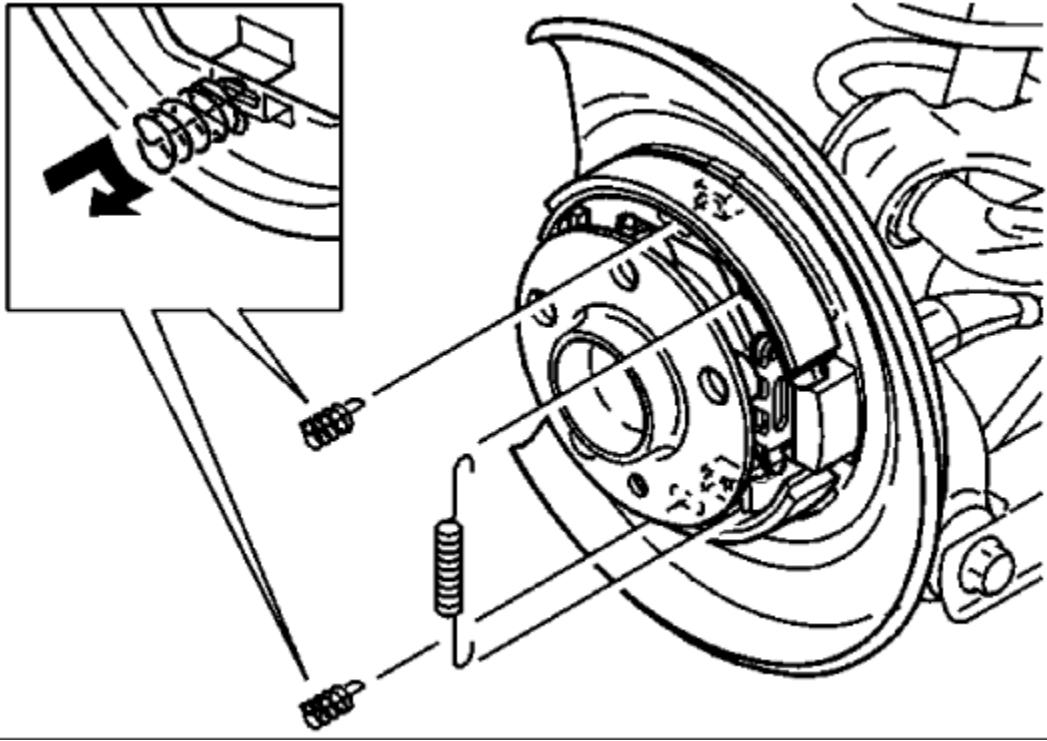
Install:



- the brake shoes
- the spacer and the small return spring on the brake shoes.

Installation brake components, continued

Install:

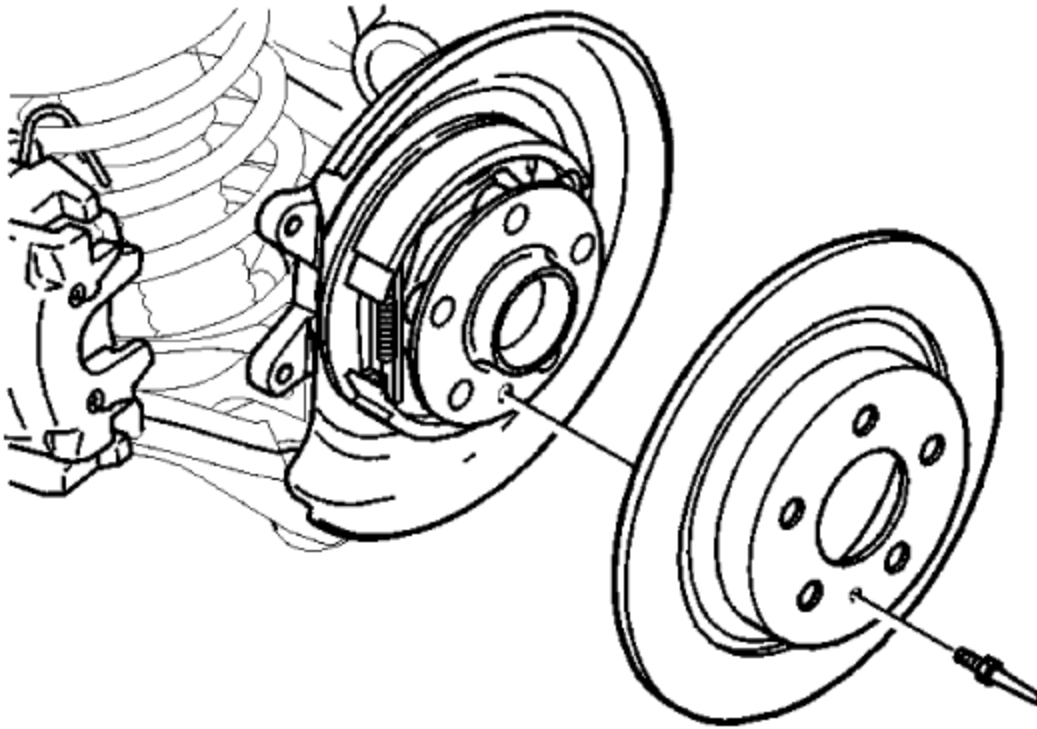


- the lower mounting spring. Press in the spring. Pull it sideways slightly until it locks
- the upper mounting spring. Check that the brake shoes are in the correct position in the expander
- the return spring by the expander. Check that the mounting springs are secure.

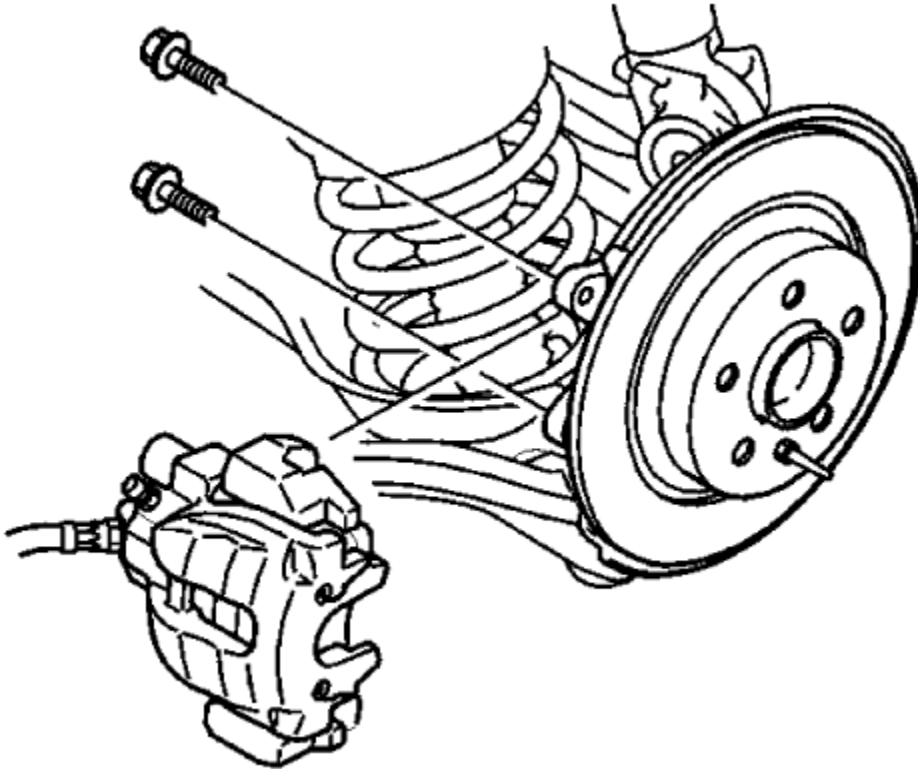
Install the brake disc and the locating pin

Tighten locating pin. Tighten to 8 Nm .

Check the [brake pads](#). Replace if necessary



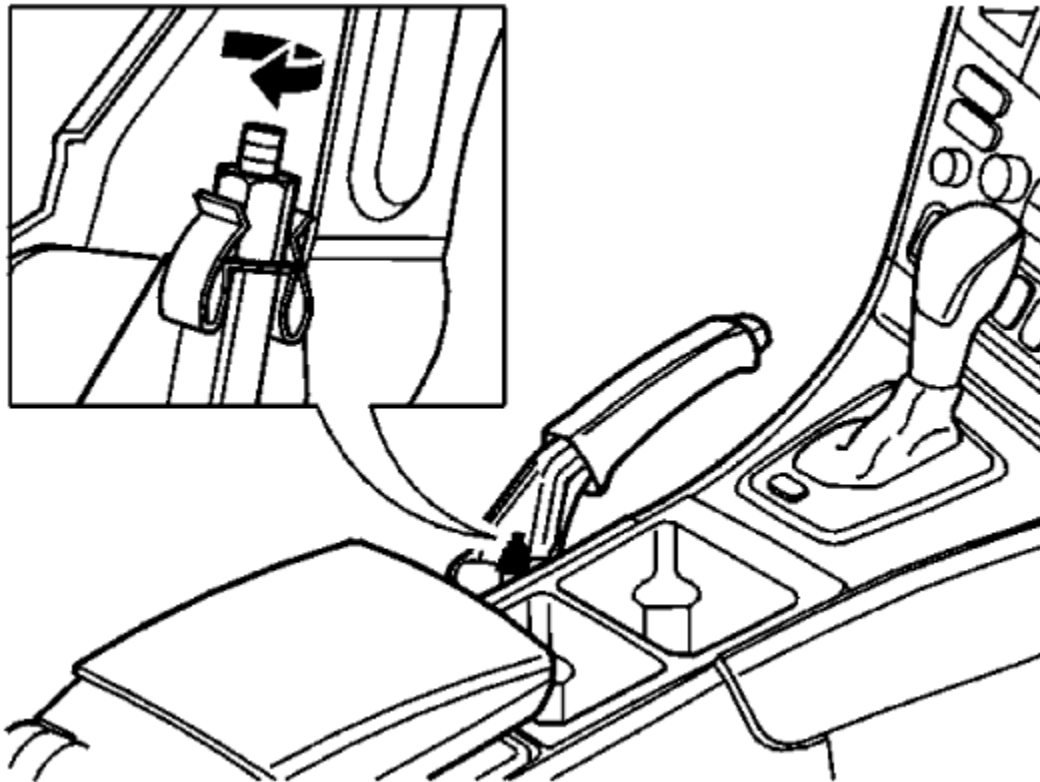
Install the caliper holder and the [brake caliper](#)



Press the [brake pads](#) in the caliper apart. Install the caliper holder and the [brake caliper](#). Tighten the caliper holder mounting screws. Tighten to **60 Nm** .

NOTE: Use new screws.
Install the wheel

Adjust the parking brake



The [parking brake lever](#) must be in its lowest position.
Full effect can be obtained between the second and fifth ratchet teeth

CAUTION: Follow the adjustment instructions to obtain full parking brake effect.

Turn the adjustment screw so that full braking effect is achieved between the second and the fifth notch.

Final check

Check that the wheels rotate freely after adjustment.

Test drive and readjust the parking brake

After replacing the brake shoes:

- Drive the car at **30 km/h** . Apply the [parking brake lever](#) until the car stops. This allows the brake shoes to bed into the brake drum.
- Adjust the parking brake as required.

Install the panel over the [parking brake lever](#).