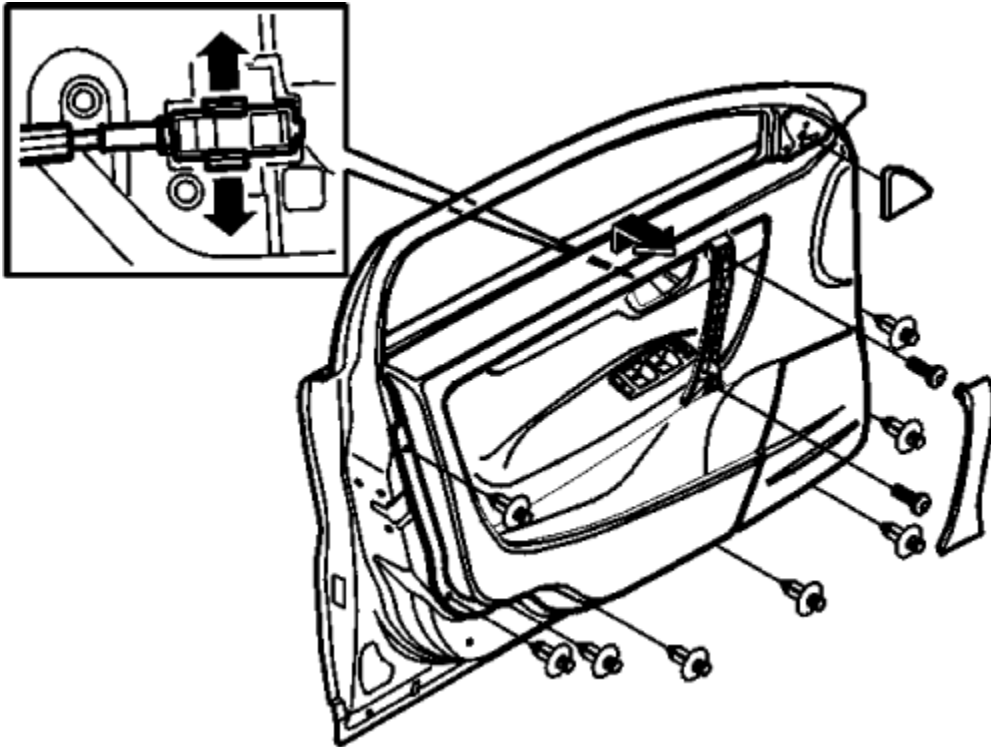


Replacing The Front Door Side Panel



- Removing the panel from the front side door Remove the cover from the mirror by pulling it straight outwards.
- Detach the side piece handle at the bottom edge. Use a [weatherstrip](#) tool.

Remove:

- the two screws
- the eight clips.

Twist the panel outwards and upwards.

Disconnect the mechanical cable for the inner door opener.

Disconnect the connectors.