

55: Brake controls, mechanical

V70 XC (01-) / XC70 (-07), 2004, B5254T2, L.H.D

17/5/2010

55: Brake controls, mechanical



PRINT

Replacing brake cables

Removal

Remove the center console

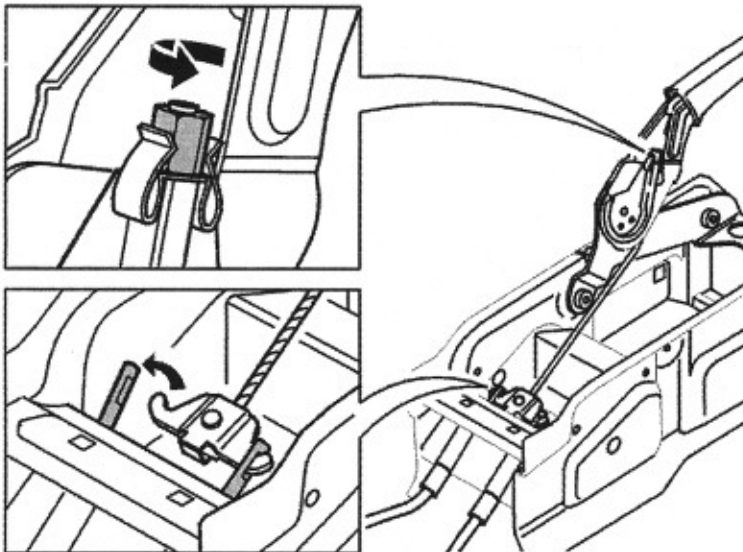
Parking brake lever, replacing .

Release the parking brake adjuster

Handbrake, brake shoes, replacing .

Remove the mechanical cable from its segment

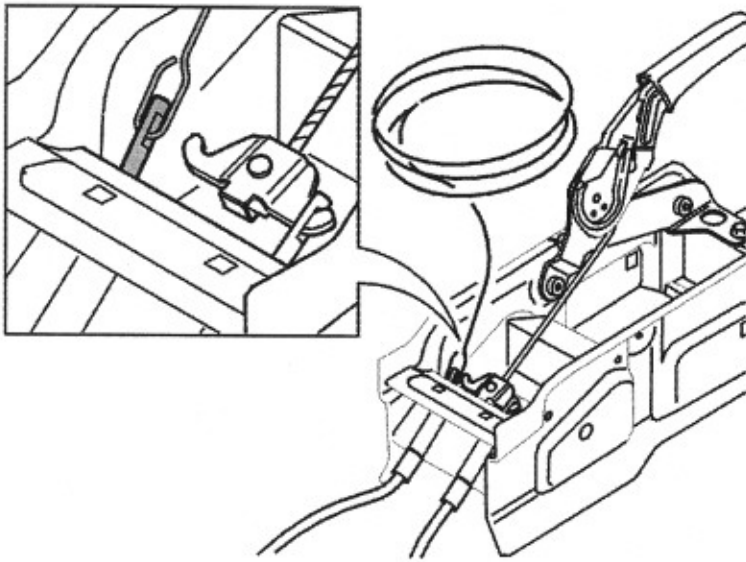
Take hold of the mechanical cable and bend it to the side so that it can be removed.



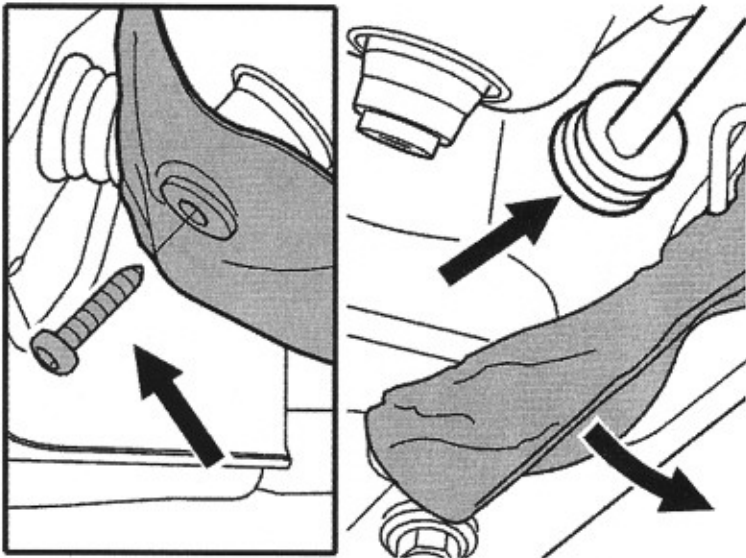
Secure a heavy wire to the end of the mechanical cable

Note! Raise the car.

Bend a thick metal wire (welding rod) as illustrated. Secure the wire in the cable eyelet. Bend the wire over



the eyelet.



Remove the mechanical cable

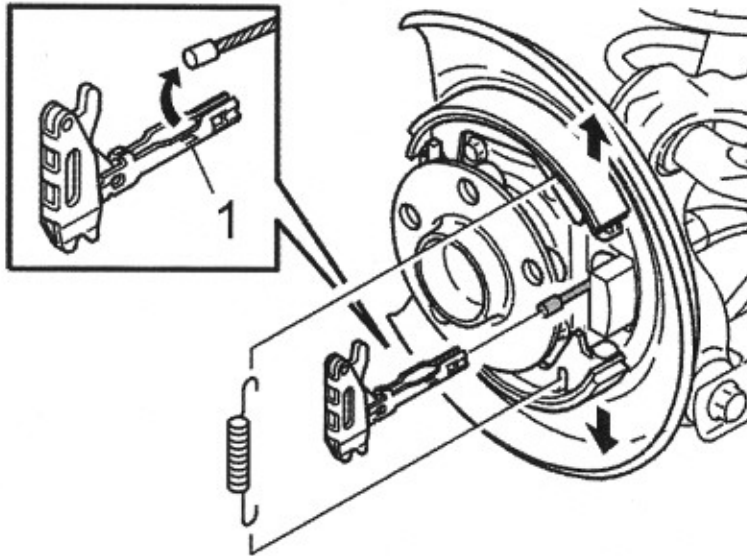
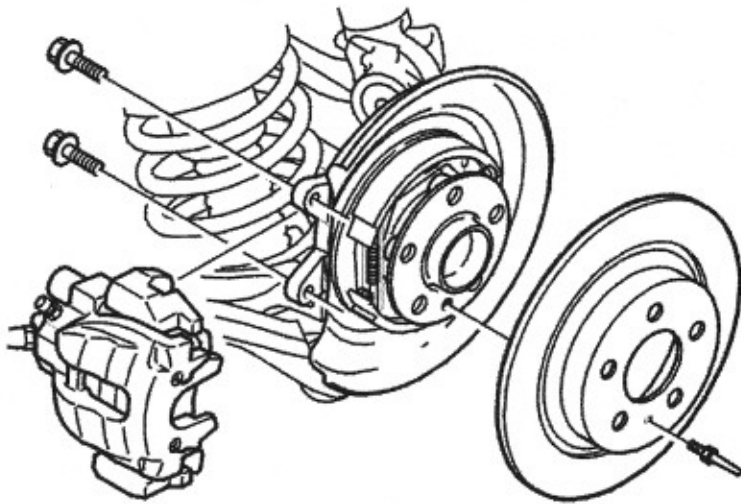
- Slacken off both the screws for the heat deflector plate
- work the heat deflector plate down
- remove the rubber grommet for the parking brake.

Remove the brake caliper with the holder and the brake disc

Remove the mounting screws for the brake caliper. Hang the caliper from the spring. Use a wire so as not to damage the brake pipe.

Remove the locating pin and the brake disc.

Note! Do not damage the ABS line.



Remove the expander

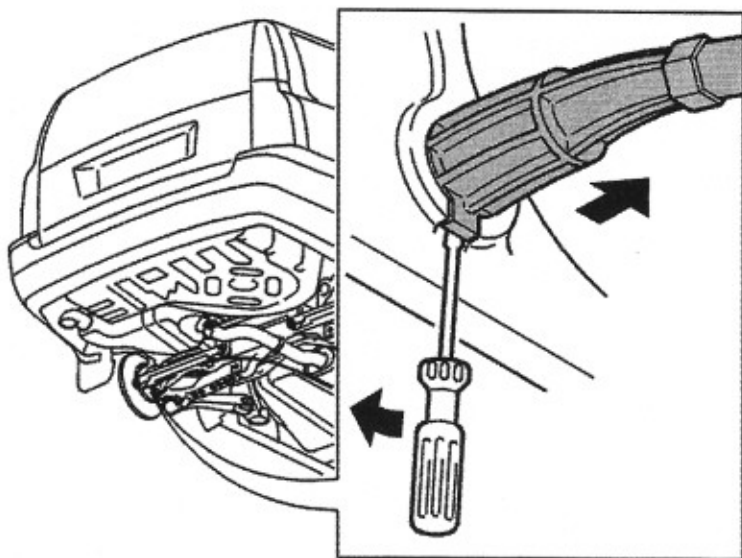
Remove:

- the return spring at the expander
- the expander. Lift the brake shoe slightly. Grip the expander and pull it outwards to access the cable.

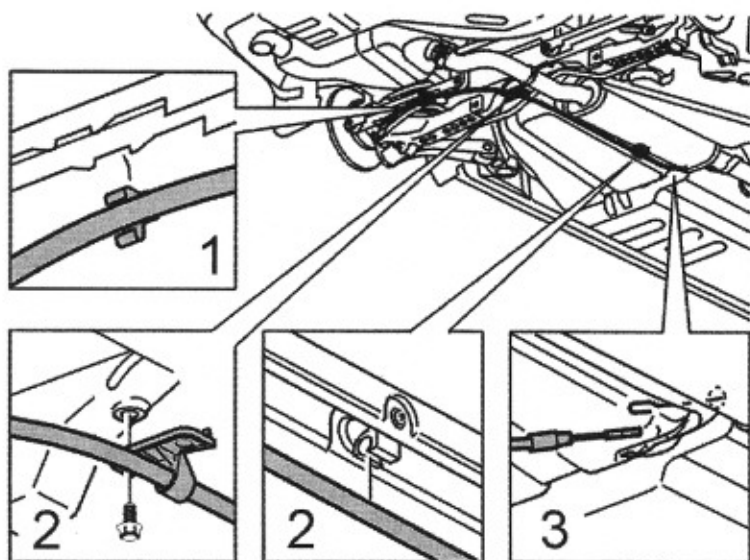
Unhook or pry apart the expander (1) by the mechanical cable to remove it.

Remove the guide sleeve for the cable sleeve

Insert a screwdriver between the guide sleeve lug and the wheel unit. Pry apart slightly to remove the sleeve.



Remove the mechanical brake cable



Remove the clamp (1) by the tie rod.

Remove the mechanical cable from its mountings (2).

Pull the mechanical cable from the floor until the welding rod is visible (3).

Remove the mechanical cable from the welding rod.

Note! Leave the welding rod in the hole in the floor.

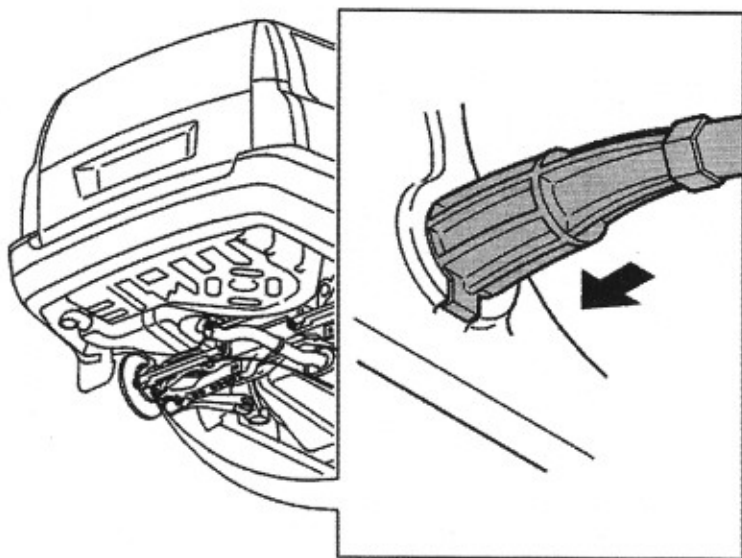
Installation

Install the cable in the wheel unit

Lubricate the O-ring on the wheel unit lightly using petroleum jelly.

Install and press the guide lug for the cable sleeve into place in the wheel unit.

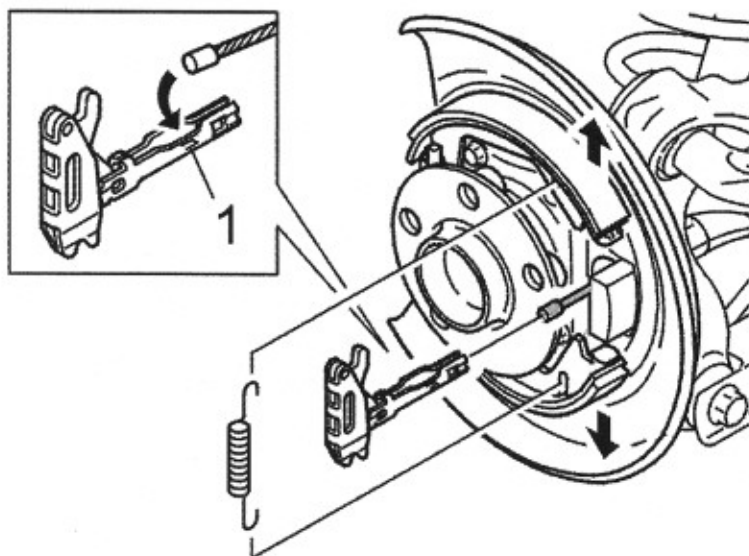
Note! This is important for the operation of the parking brake.



Install the expander on the mechanical cable

Install:

- the expander on the cable. Press the mounting together to lock the cable in the expander
- the expander between the brake shoes
- the return spring.



Check the function.

Install the brake cable in its clamps

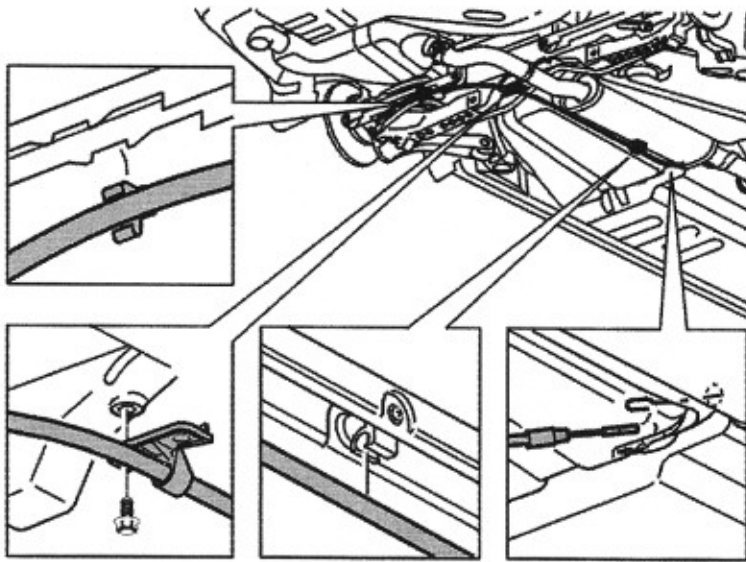
Secure the cable in its clamps and on the welding rod.

Bend the welding rod over the end of the cable.

Install the cable in the hole in the floor.

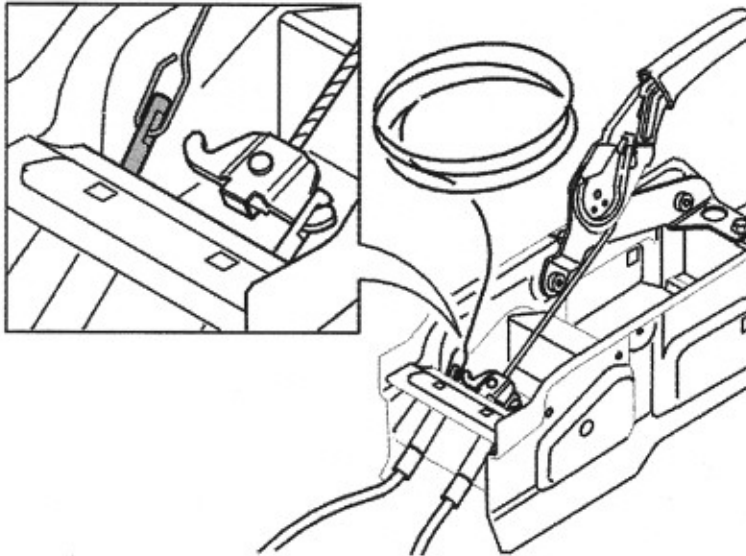
Press the rubber grommet into the hole in the floor.

Press the mechanical cable



into place in its mounting between the heat shield and the fuel tank.
Press the cable between the fuel tank and the edge of the heat deflector (the anti-vibration shield should be inside the edge).

Lower the car



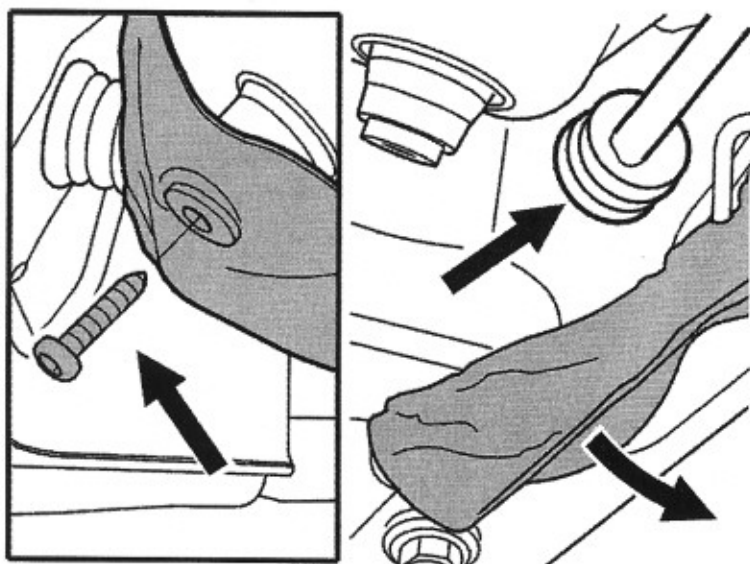
Pull the cable up to the brake lever

Take hold of the welding rod. Pull the mechanical cable with the sleeve through the bodywork and up to the parking brake lever.

Remove the welding rod.

Install the rubber seal against the bodywork

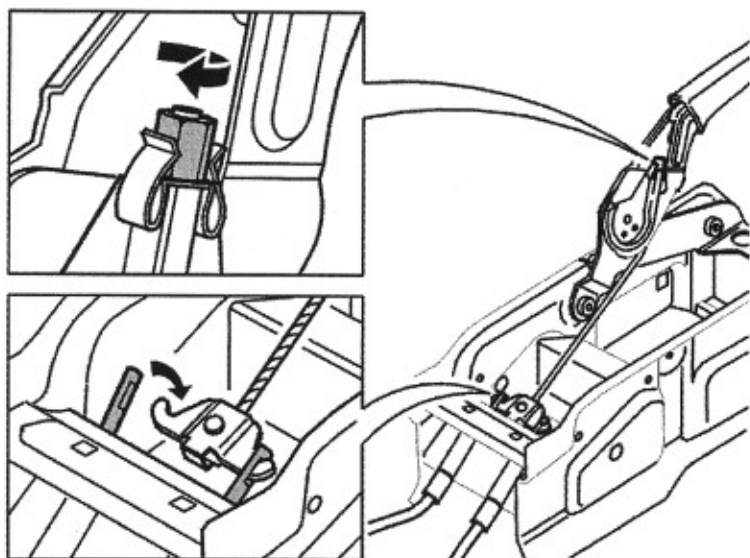
- press the rubber grommet up until it seals
- work up the heat shield. Install both the screws.



Install the cable to the parking brake segment

Install:

- the cable end on the segment
- the adjuster nut at the parking brake lever.



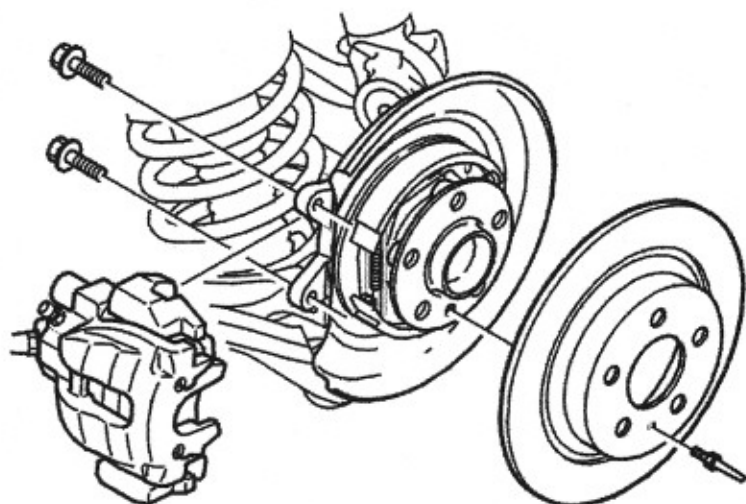
Install the center console

Parking brake lever, replacing .

Install the brake disc and the brake caliper with the holder

Install the disc locating pin. Tighten to **8 Nm**.

Tighten the caliper holder mounting screws. Tighten to



60 Nm. Use new mounting screws.

Install the wheel
Installing wheels .

Adjust the parking brake
First tension the cable by pulling the lever to **400 N**.
Adjusting the parking brake.
Handbrake, brake shoes, replacing .

17/5/2010

PRINT