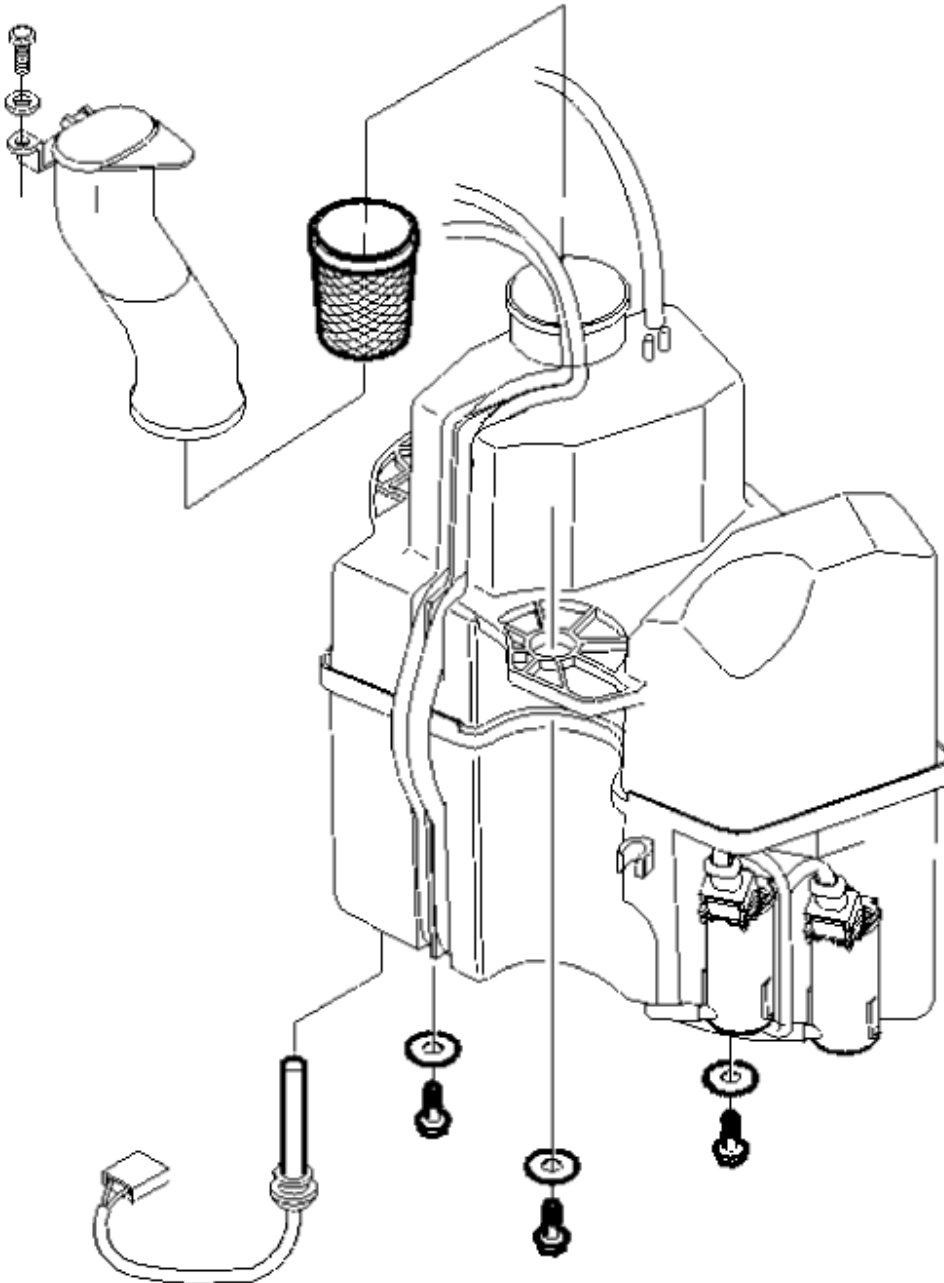


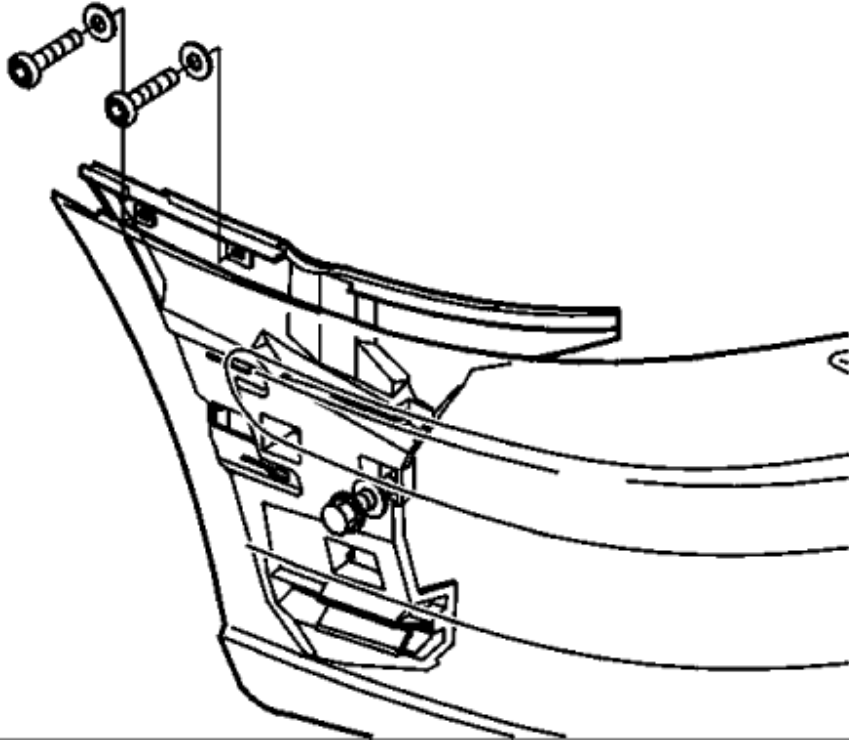
Windshield Washer Fluid Reservoir, Replacing

Removal



- Remove the filter cover on the control module box
- Remove the filler pipe.
- Separate the hoses at the filler pipe:

- Yellow valve = front windshield washer
- White valve = rear windshield washer.



- Remove the soft nose on the right hand side.
- Remove the screws for the soft nose guide.
- Disconnect the connector under the reservoir
- Remove the screws from the reservoir
- Carefully tension out the soft nose. Release and pull out the reservoir slightly
- Remove the air intake pipe for the control module box from the mounting on the reservoir
- Take down the reservoir.
- Angle the [windshield washer reservoir](#) so that the windshield [washer fluid](#) does not leak. Alternatively empty the reservoir
- Remove the hose from the motor
- Disconnect the connector from the motor
- Remove the motor from the reservoir.

Installation

Washer motor

- In reverse order.

NOTE: Before installing the pump, immerse the inlet pipe in water or a soap solution to avoid compressing the rubber seal.

Installation

- Assemble the hoses for flushing and air. Use an elastic band or tape
- Position the reservoir
- Locate the hoses
- Press the soft nose and the guide out of the way. Then lift the reservoir up into position
- Position the intake air pipe on the mounting on the reservoir
- Lift up the reservoir. Position the intake air pipe on the input on the control module box
- Thread in the screws
- Check the position of the hoses
- Tighten the screws
- Install the remaining components in reverse order.